



 **Lavi Industries**
Stainless Steel Railing Systems



SUMMER 2021

316 Stainless Steel Railing
Systems and Components

C.A.T. Cable Railing™ System



Captive Anchoring and Tensioning Prefabricated Cable Railing Posts

SIMPLIFIES PROJECT PLANNING AND ORDERING:

With built-in cable receiving AND anchoring in every post, you'll always have the exact type of end post you need. C.A.T. Cable Railing Posts accept bulk-roll, continuous cable—no need to plan out and buy specific cable lengths with coupled fittings, just roll out what you need at the jobsite and cut to length.

MAKES INSTALLATION QUICK AND EASY:

Built-in cable tensioning fittings hold the cable in place preventing rotation, permitting single-handed cable tensioning from either end using a simple socket or box wrench. C.A.T. Cable Railing Posts are prefabricated and ready to install right out of the box. No welding or post assembly required.



1. MOUNT PREFABRICATED POST.

2. PULL CABLE THROUGH FITTING.



3. TENSION CABLE FROM EITHER END WITH A SINGLE TOOL.



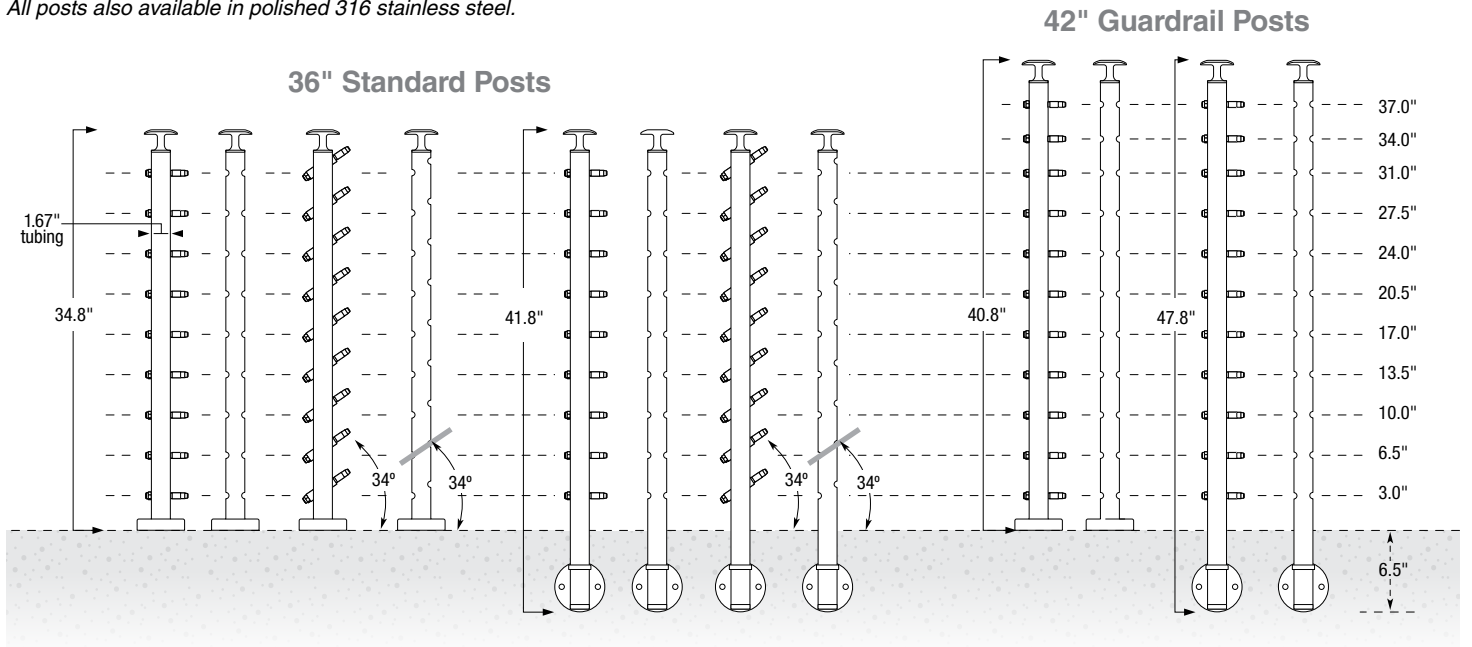
C.A.T. Cable Railing Posts

MOUNTING CONDITION	FINISH	ITEM #	POST HEIGHT	POST POSITION	SADDLE STYLE
 Floor Mount	Satin	CT/4S/EN/36/AR/FL	36"	End	Adjustable
	Satin	CT/4S/EN/36/FR/FL	36"	End	Fixed
	Satin	CT/4S/EN/42/AR/FL	42"	End	Adjustable
	Satin	CT/4S/EN/42/FR/FL	42"	End	Fixed
	Satin	CT/4S/ES/36/AR/FL/TP	36"	Stair Top	Adjustable
	Satin	CT/4S/ES/36/AR/FL/BM	36"	Stair Bottom	Adjustable
	Satin	CT/4S/ES/42/AR/FL/TP	42"	Stair Top	Adjustable
	Satin	CT/4S/ES/42/AR/FL/BM	42"	Stair Bottom	Adjustable
	Satin	CT/4S/EN/36/AR/FM	36"	End	Adjustable
	Satin	CT/4S/EN/36/FR/FM	36"	End	Fixed
 Fascia Mount	Satin	CT/4S/EN/42/AR/FM	42"	End	Adjustable
	Satin	CT/4S/EN/42/FR/FM	42"	End	Fixed
	Satin	CT/4S/ES/36/AR/FM/TP	36"	Stair Top	Adjustable
	Satin	CT/4S/ES/36/AR/FM/BM	36"	Stair Bottom	Adjustable
	Satin	CT/4S/ES/42/AR/FM/TP	42"	Stair Top	Adjustable
	Satin	CT/4S/ES/42/AR/FM/BM	42"	Stair Bottom	Adjustable

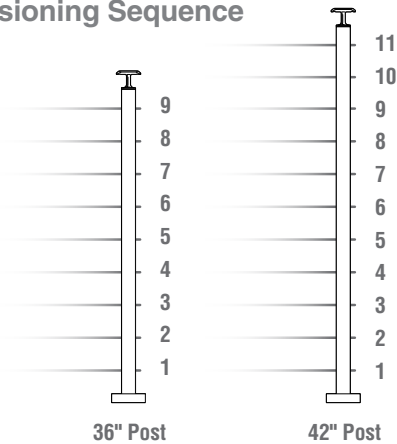
Cable Railing Center Posts

MOUNTING CONDITION	FINISH	ITEM #	POST HEIGHT	POST POSITION	SADDLE STYLE
 Floor Mount	Satin	CT/4S/CN/36/AR/FL	36"	Center	Adjustable
	Satin	CT/4S/CN/36/FR/FL	36"	Center	Fixed
	Satin	CT/4S/CR/36/FR/FL	36"	Corner	Fixed
	Satin	CT/4S/CN/42/AR/FL	42"	Center	Adjustable
	Satin	CT/4S/CN/42/FR/FL	42"	Center	Fixed
	Satin	CT/4S/CR/42/FR/FL	42"	Corner	Fixed
	Satin	CT/4S/CS/36/AR/FL	36"	Stair Center	Adjustable
	Satin	CT/4S/CS/42/AR/FL	42"	Stair Center	Adjustable
	Satin	CT/4S/CN/36/AR/FM	36"	Center	Adjustable
	Satin	CT/4S/CN/42/FR/FM	42"	Center	Fixed
 Fascia Mount	Satin	CT/4S/CS/36/AR/FM	36"	Stair Center	Adjustable
	Satin	CT/4S/CS/42/AR/FM	42"	Stair Center	Adjustable

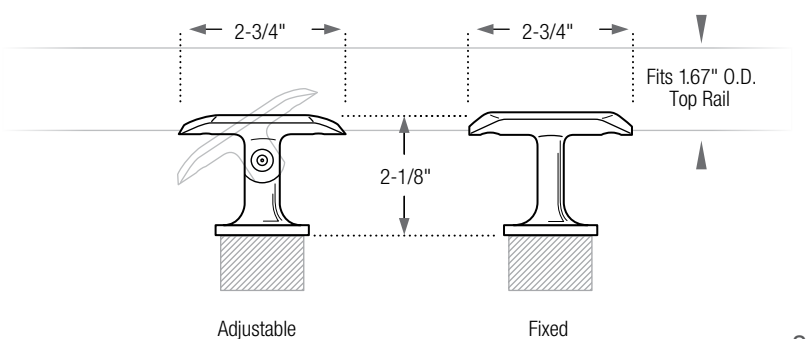
All posts also available in polished 316 stainless steel.



Tensioning Sequence



Saddles



Prefabricated Railing Assemblies for Cable

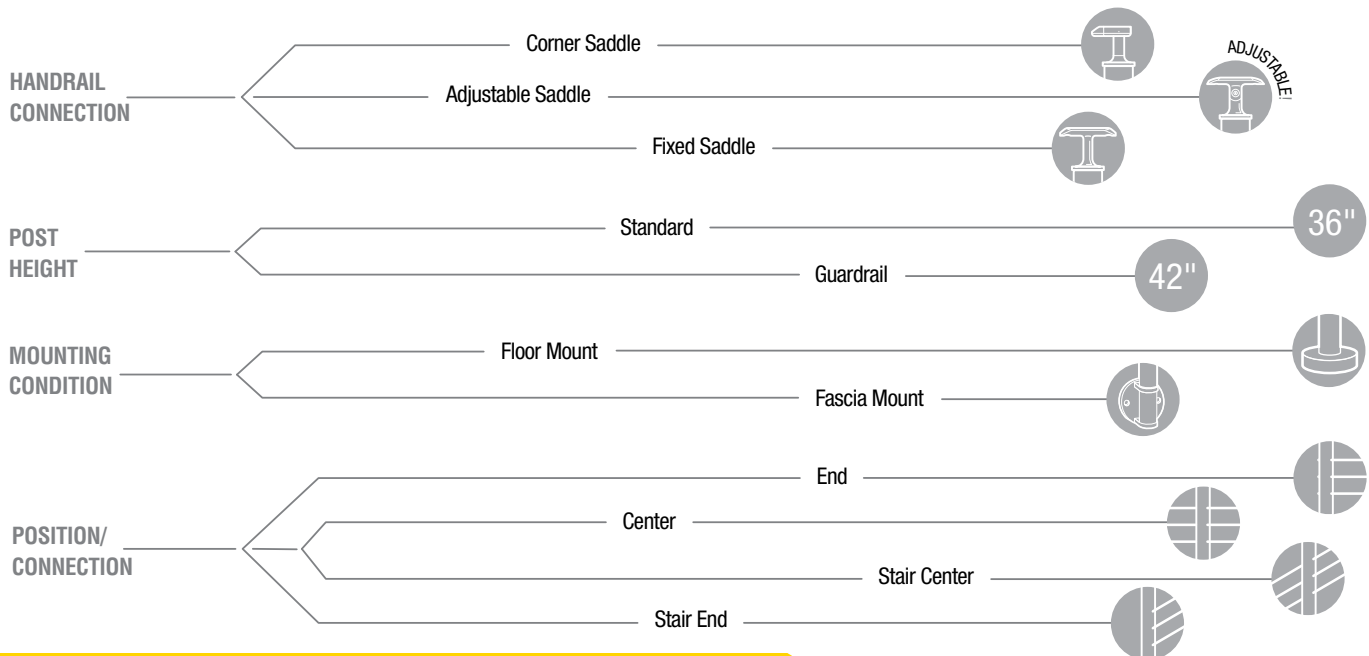
Post assemblies simplify installation and eliminate welding.



The look of custom, the ease of Prefab.

Prefabricated Cable Railing posts offer an attractive, affordable, low maintenance and easy-to-install railing option for residential or commercial applications. They are extremely durable and virtually invisible, allowing for beautiful, unimpaired views.

Prefabricated Post Options





We've paid attention to all the details...

It's easy to finish off your railing project with the perfect handrail. Our beautiful polished or satin 316 stainless steel tubing can be customized with a variety of end caps to complete your railing project.

Our cable rail comes with everything you need for a quick and easy installation, including a threaded stainless steel terminal, stainless steel tensioning hardware, washers, and end caps.

See page 8 for details.

Add the finishing touch to your railing project with Lavi Metal Polish. It cleans, polishes and protects polished metals with its anti-tarnish formula. And for a weld-free installation, use Loctite 326 structural adhesive for a secure, permanent bond between component pieces.





Prefabricated Posts for Cable



Adjustable Saddle





Fixed Saddle



MOUNTING CONDITION	AVAILABLE FINISHES	ITEM #	POST HEIGHT	POSITION/ CONNECTION	POST DIAMETER
 Floor Mount	Satin	SC/4S/EN/36/AR/FL	36"	End	1.67"
		SC/4S/EN/42/AR/FL	42"		
	Satin	SC/4S/CN/36/AR/FL	36"	Center	1.67"
		SC/4S/CN/42/AR/FL	42"		
 Fascia Mount	Satin	SC/4S/ES/36/AR/FL	36"	Stair End	1.67"
		SC/4S/ES/42/AR/FL	42"		
	Satin	SC/4S/CS/36/AR/FL	36"	Stair Center	1.67"
		SC/4S/CS/42/AR/FL	42"		

 Floor Mount	Satin	SC/4S/EN/36/AR/FM	36"	End	1.67"
		SC/4S/EN/42/AR/FM	42"		
	Satin	SC/4S/CN/36/AR/FM	36"	Center	1.67"
		SC/4S/CN/42/AR/FM	42"		
 Fascia Mount	Satin	SC/4S/ES/36/AR/FM	36"	Stair End	1.67"
		SC/4S/ES/42/AR/FM	42"		
	Satin	SC/4S/CS/36/AR/FM	36"	Stair Center	1.67"
		SC/4S/CS/42/AR/FM	42"		

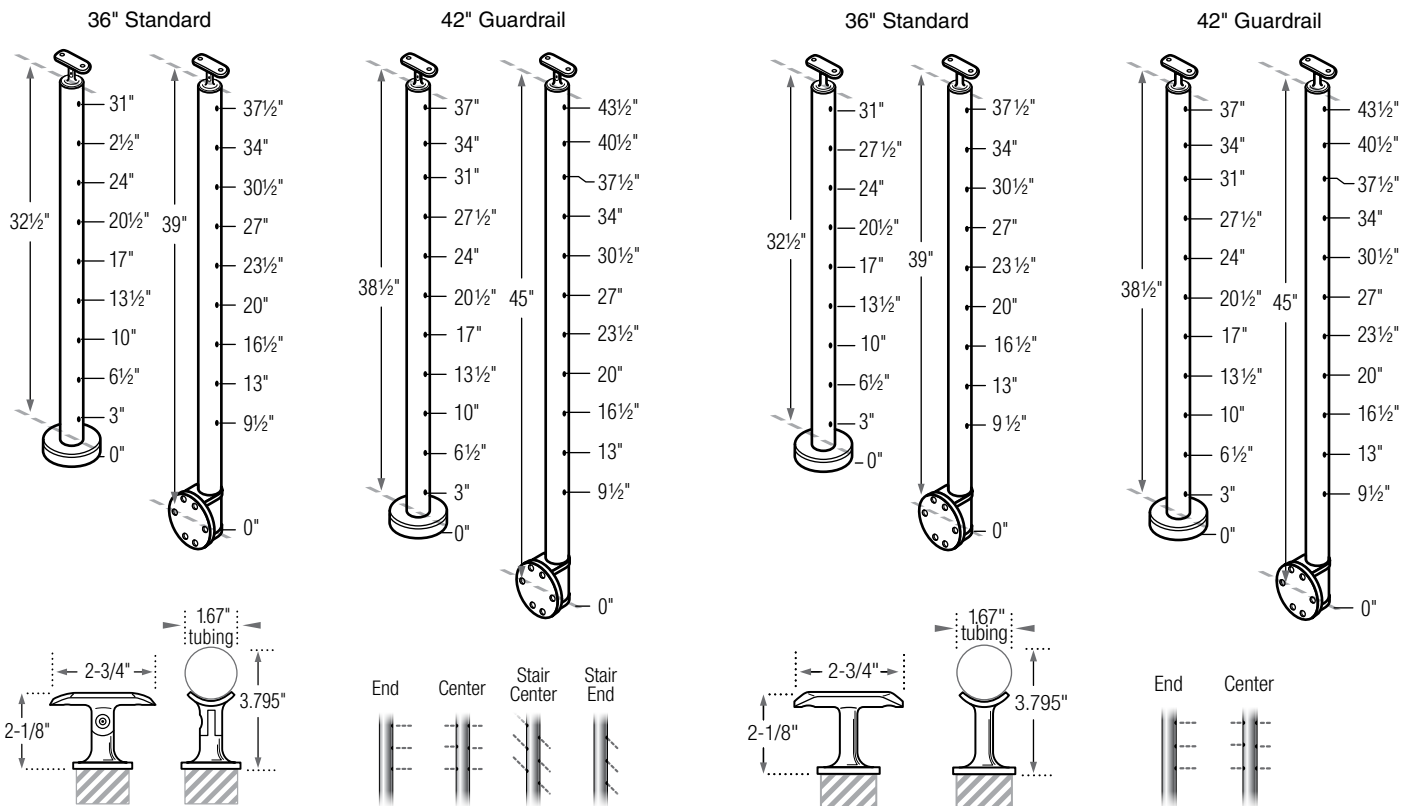
All posts also available in polished 316 stainless steel.

MOUNTING CONDITION	AVAILABLE FINISHES	ITEM #	POST HEIGHT	POSITION/ CONNECTION	POST DIAMETER
 Floor Mount	Satin	SC/4S/EN/36/FR/FL	36"	End	1.67"
		SC/4S/EN/42/FR/FL	42"		
	Satin	SC/4S/CN/36/FR/FL	36"	Center	1.67"
		SC/4S/CN/42/FR/FL	42"		
 Fascia Mount	Satin	SC/4S/EN/36/FR/FM	36"	End	1.67"
		SC/4S/EN/42/FR/FM	42"		
	Satin	SC/4S/CN/36/FR/FM	36"	Center	1.67"
		SC/4S/CN/42/FR/FM	42"		

All posts also available in polished 316 stainless steel.

Adjustable Saddle

Fixed Saddle



Corner Saddle



MOUNTING CONDITION	AVAILABLE FINISHES	ITEM #	POST HEIGHT	POSITION/ CONNECTION	POST DIAMETER
--------------------	--------------------	--------	-------------	----------------------	---------------

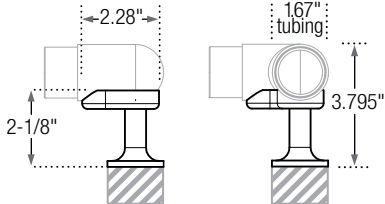
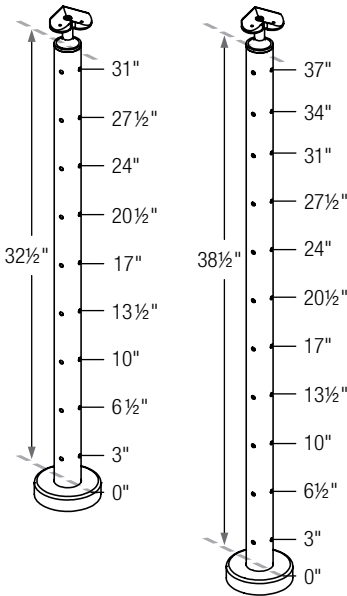


Satin	SC/4S/CR/36/FR/FL	36"	Corner	1.67"
	SC/4S/CR/42/FR/FL	42"		

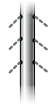
Floor Mount

All posts also available in polished 316 stainless steel.

Corner Saddle



Corner



Connectors for Cable Railing



Cable Rail Assemblies are an attractive, affordable, low maintenance and easy-to-install railing infill option for homes and offices. Assemblies come in 1/8" and 3/16" diameters*, offering a high-strength, weather-tough alternative to metal or wood railing pickets. This railing infill is not only extremely durable and attractive but virtually invisible, allowing beautiful, unimpaired views.

These prefabricated assemblies are sold in standard lengths in 5-ft. increments up to 50 feet that can be trimmed and finished in the field.

Cable Rail Assemblies

Includes a length of cable with a threaded stainless steel terminal on one end, a stainless steel receiver fitting, nylon washers, stainless steel nut and plastic decorative end caps.

ITEM #	MATERIAL	DIAMETER	LENGTH	ITEM #	MATERIAL	DIAMETER	LENGTH
49-CA125B/5	316	1/8"	5'	49-CA187B/5	316	3/16"	5'
49-CA125B/10	316	1/8"	10'	49-CA187B/10	316	3/16"	10'
49-CA125B/15	316	1/8"	15'	49-CA187B/15	316	3/16"	15'
49-CA125B/20	316	1/8"	20'	49-CA187B/20	316	3/16"	20'
49-CA125B/25	316	1/8"	25'	49-CA187B/25	316	3/16"	25'
49-CA125B/30	316	1/8"	30'	49-CA187B/30	316	3/16"	30'
49-CA125B/35	316	1/8"	35'	49-CA187B/35	316	3/16"	35'
49-CA125B/40	316	1/8"	40'	49-CA187B/40	316	3/16"	40'
49-CA125B/45	316	1/8"	45'	49-CA187B/45	316	3/16"	45'
49-CA125B/50	316	1/8"	50'	49-CA187B/50	316	3/16"	50'



** 1/8" cables are commonly used for residential and light commercial projects. 3/16" cables are utilized in commercial jobs or residential applications where a heavier cable is desired.*

Working with Cable Rail Assemblies

Assemblies work perfectly with Lavi Industries' Prefabricated Posts in both residential and commercial settings and are suitable for either interior or exterior applications. The assemblies are laced horizontally through holes drilled in the intermediate posts of your railing frame, then tensioned at opposite end posts with specially-designed fittings.

STEP 1: MEASURE AND FEED THE CABLE

Check to ensure that the cable length is sufficient to pass through from end post to end post. The cable should be at least 3" longer than the distance from the outside of one end post to the outside of the other end post. Pass the cable through the end and center posts (or stair end and stair center posts).

STEP 2: ADD FITTINGS

Add the threaded tensioning fitting and washer to the end of the cable that has a thread. Tighten one or two turns only. Pass the one-way locking fitting and washer through the other end of the cable and pull the cable to a manual tightness.

STEP 3: TENSION CABLE

Clamp the cable near the tensioning fitting with a vise grip designed to hold the cable in place and tighten the tensioning cable to the desired or specified tension.



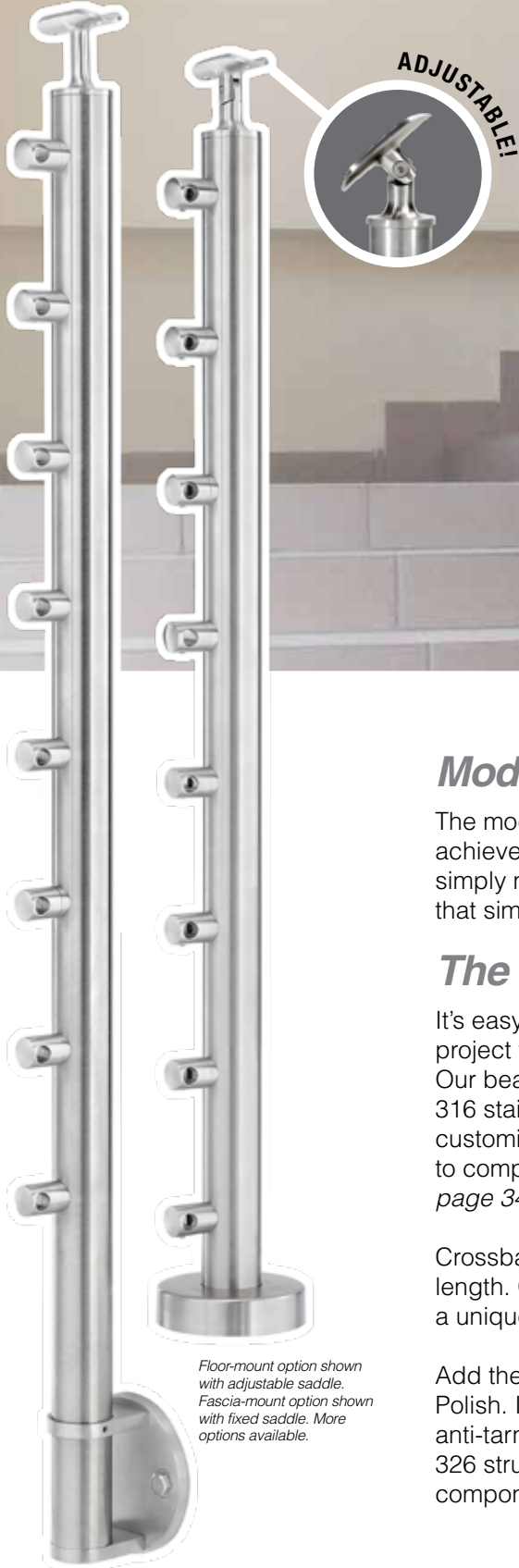
Important Note: Building codes vary by city and county; therefore, following the installation and railing design instructions detailed here does not necessarily ensure code compliance in all areas. Before starting your project, be sure to consult your building department on local requirements for using and installing cable railings.

Please note that Cable Rail standard assemblies should never be used for lifting, hanging or other high-load applications.



Prefabricated Railing Assemblies for Crossbars

Post assemblies simplify installation and eliminate welding.



Floor-mount option shown with adjustable saddle. Fascia-mount option shown with fixed saddle. More options available.



Modular prefab posts save you time and money.

The modern, visually stunning look of Crossbar Railing is now even easier to achieve with our Prefabricated Crossbar Railing posts. No welding needed – simply mount the posts, slide the crossbars into place, and tighten. It’s literally that simple!

The finishing touch...

It’s easy to finish off your railing project with the perfect handrail. Our beautiful polished or satin 316 stainless steel tubing can be customized with a variety of end caps to complete your railing project. See *page 34* for options.



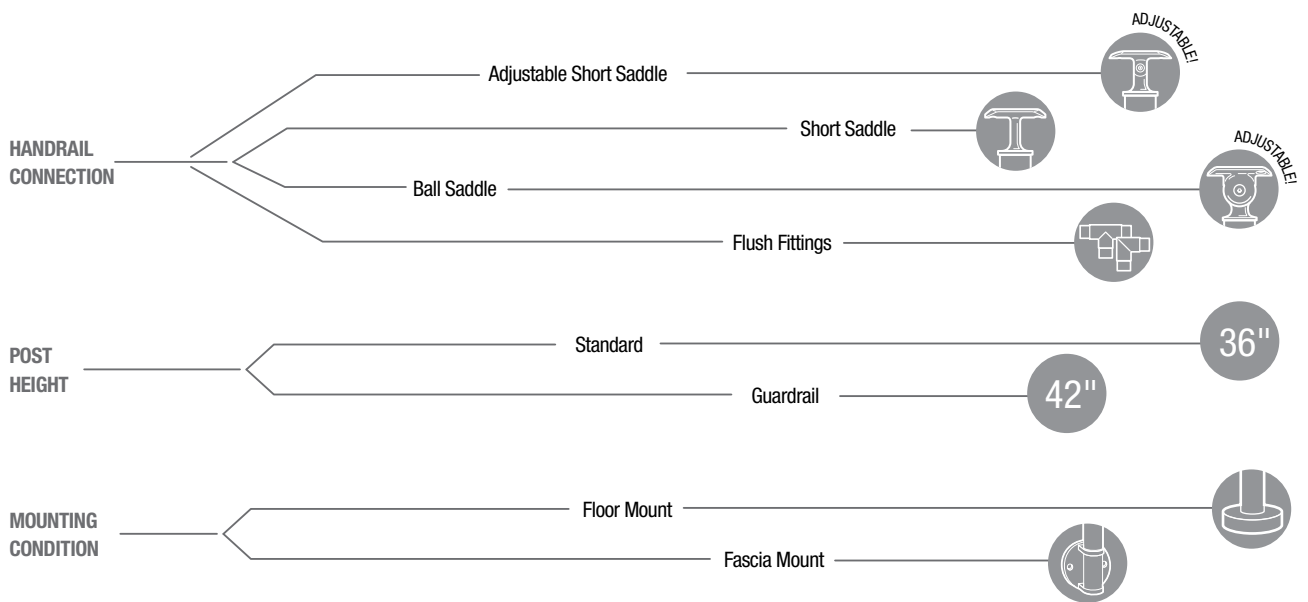
Crossbar Rod is available in 20-foot lengths and is easily cut to length. Cap off ends with our Crossbar Ball Finial for a unique look. See *page 13* for details.

Add the finishing touch to your railing project with Lavi Metal Polish. It cleans, polishes and protects polished metals with its anti-tarnish formula. And for a weld-free installation, use Loctite 326 structural adhesive for a secure, permanent bond between component pieces. See *page 35* for details.





Prefabricated Post Options



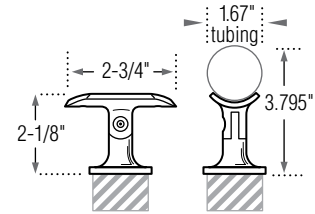
Crossbar Posts for 36" and 42" Handrail

Short Adjustable Saddle



MOUNTING CONDITION	POST HEIGHT/ FINISH	ITEM #	ROD DIAMETER	POSITION/ CONNECTION	POST DIAMETER
Floor	36" Satin	CB/4S/CN/36/AR/FL	.47"	Ends, Center	1.67"
	42" Satin	CB/4S/CN/42/AR/FL	.47"	Ends, Center	1.67"
Fascia	36" Satin	CB/4S/CN/36/AR/FM	.47"	Ends, Center	1.67"
	42" Satin	CB/4S/CN/42/AR/FM	.47"	Ends, Center	1.67"

Dimensions for Adjustable Saddle

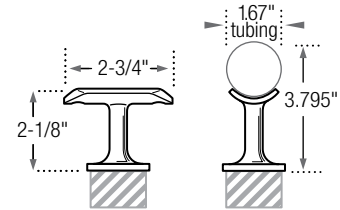


Short Saddle (non-adjustable)



MOUNTING CONDITION	POST HEIGHT/ FINISH	ITEM #	ROD DIAMETER	POSITION/ CONNECTION	POST DIAMETER
Floor	36" Satin	CB/4S/CN/36/FR/FL	.47"	Ends, Center	1.67"
	42" Satin	CB/4S/CN/42/FR/FL	.47"	Ends, Center	1.67"
Fascia	36" Satin	CB/4S/CN/36/FR/FM	.47"	Ends, Center	1.67"
	42" Satin	CB/4S/CN/42/FR/FM	.47"	Ends, Center	1.67"

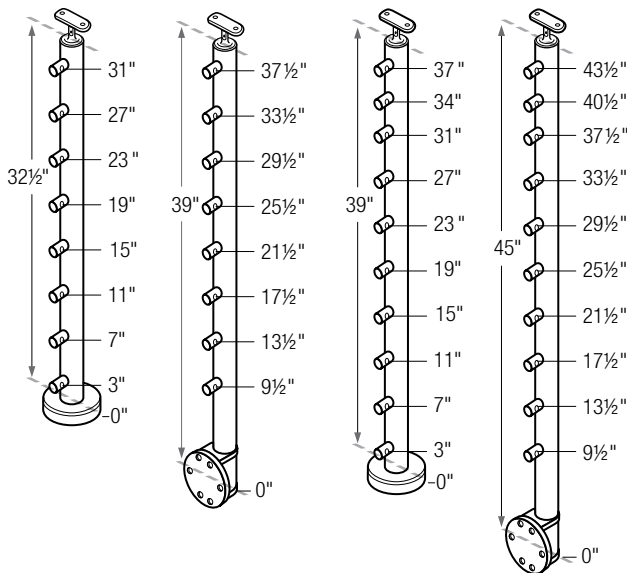
Dimensions for Fixed Saddle



All posts also available in polished 316 stainless steel.

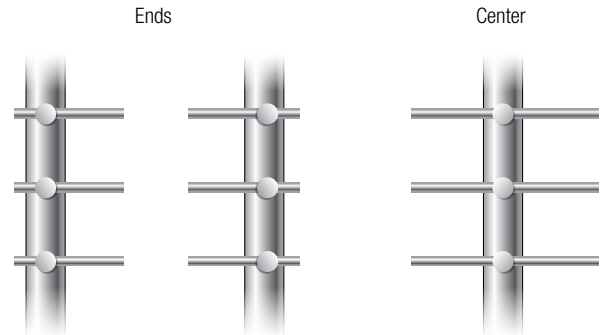
36" Standard

42" Guardrail



Crossbar Positions

"Center" standoff crossbar holders are used on all prefabricated posts. Rod ends remain exposed on end-post positions. If finished ends are desired, end-right and end-left versions are sold separately.



Crossbar Railing Connectors

Crossbar Rod

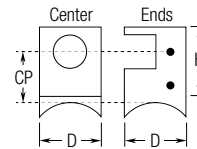


ITEM #	TYPE	MATERIAL	FINISH	OD	WALL THICK	LENGTH
49-R038/20	Solid Rod	316	Satin	0.47"	NA	20'
47-R038/20	Solid Rod	316	Polished	0.47"	NA	20'

Standoff Crossbar Holder



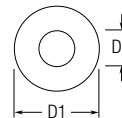
ITEM #	MATERIAL	FINISH	TUBE	MOUNTS ON	H	D	CP	POSITION
47-RH101/424	316	Polished	0.47	1.67"	1.02"	0.85"	0.79"	Center
49-RH101/424	316	Satin	0.47	1.67"	1.02"	0.85"	0.79"	Center
49-RH102R/424	316	Satin	0.47	1.67"	1.02"	0.85"	0.79"	End-Right
49-RH102L/424	316	Satin	0.47	1.67"	1.02"	0.85"	0.79"	End-Left



Crossbar Ball Finial



ITEM #	MATERIAL	FINISH	TUBE	D1	D2
49-RCF101	316	Machined	0.47"	0.79"	0.48"



Crossbar Splice

ITEM #	MATERIAL	FINISH	TUBE
49-RC103	316	Satin	0.47"
47-RC103	316	Polished	0.47"



Prefabricated Railing Assemblies for Glass Panel

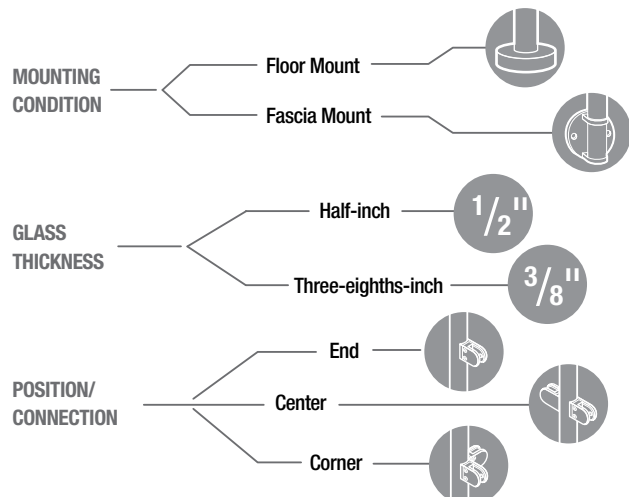
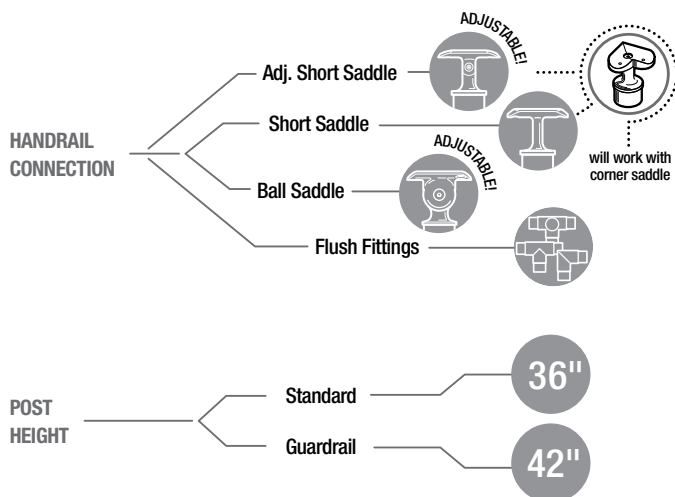
Post assemblies simplify installation and eliminate welding.



A custom look that installs in minutes.

Prefabricated Glass Panel Railing posts will save you time and money. Just choose from the many customizable options and let us build them for you. All you need to do is mount the posts and attach the glass. It couldn't be more simple!

Prefabricated Post Options





Complete your project with matching components.

It's easy to finish off your railing project with the perfect handrail. Our beautiful polished or satin 316 stainless steel tubing can be customized with a variety of end caps to complete your railing project. *See page 34 for options.*



Our flush fittings extend the available applications of Glass Panel projects. Angled and adjustable fittings allow you to turn corners and navigate stairs in style. *See page 30 for options.*

Add the finishing touch to your railing project with Lavi Metal Polish. It cleans, polishes and protects polished metals with its anti-tarnish formula. And for a weld-free installation, use Loctite 326 structural adhesive for a secure, permanent bond between component pieces. *See page 35 for details.*



Fascia-mount option shown with adjustable saddle handrail connection. Floor-mount option shown with fixed saddle corner connection. Many more options available.

Prefabricated Posts for Glass:


36" Standard


Short Adjustable Saddle





Short Saddle (non-adjustable)



MOUNTING CONDITION	AVAILABLE FINISHES	ITEM #	GLASS THICKNESS	POSITION/ CONNECTION	POST DIAMETER
	Satin	GC/4S/EN/36/AR/FL	3/8"	End	1.67"
	Satin	GC/4S/CN/36/AR/FL	3/8"	Center	1.67"

	Satin	GC/4S/EN/36/AR/FM	3/8"	End	1.67"
	Satin	GC/4S/CN/36/AR/FM	3/8"	Center	1.67"

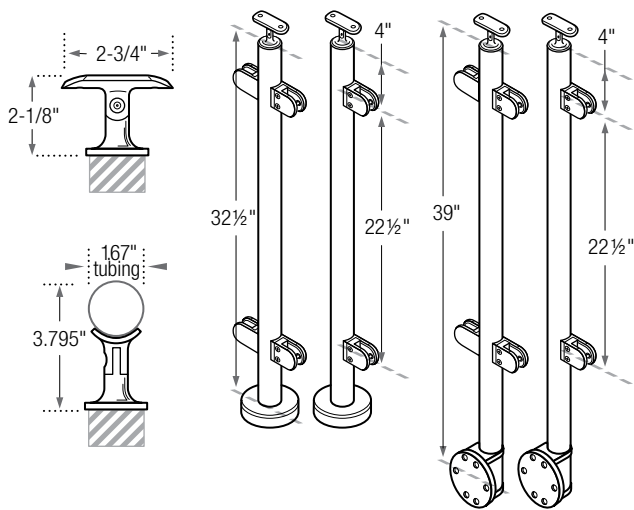
MOUNTING CONDITION	AVAILABLE FINISHES	ITEM #	GLASS THICKNESS	POSITION/ CONNECTION	POST DIAMETER
	Satin	GC/4S/EN/36/FR/FL	3/8"	End	1.67"
	Satin	GC/4S/CN/36/FR/FL	3/8"	Center	1.67"
	Satin	GC/4S/CR/36/FR/FL	3/8"	Corner	1.67"

	Satin	GC/4S/EN/36/FR/FM	3/8"	End	1.67"
	Satin	GC/4S/CN/36/FR/FM	3/8"	Center	1.67"

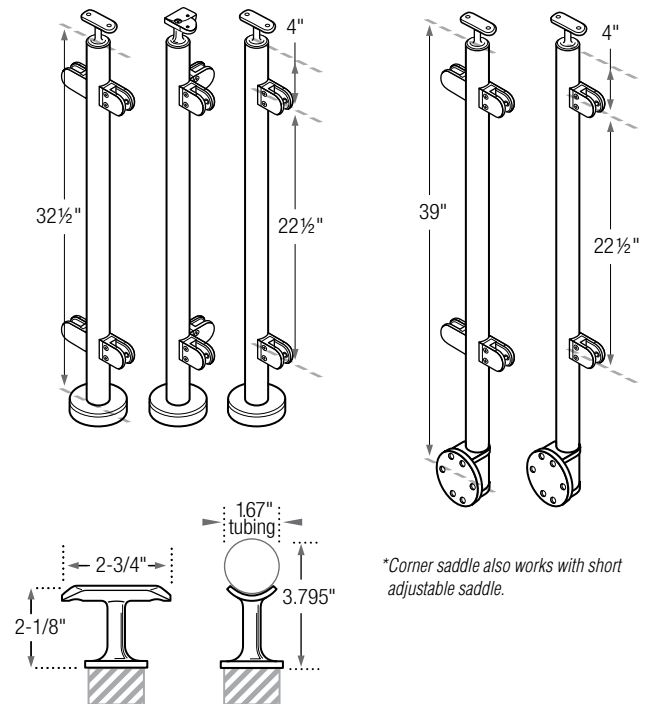
All posts also available in polished 316 stainless steel.

All posts also available in polished 316 stainless steel.

Center and End



Center, Corner* and End



42" Guardrail

Short Adjustable Saddle



Short Saddle (non-adjustable)



MOUNTING CONDITION	AVAILABLE FINISHES	ITEM #	GLASS THICKNESS	POSITION/ CONNECTION	POST DIAMETER
--------------------	--------------------	--------	-----------------	----------------------	---------------



Floor Mount

Satin	GC/4S/EN/42/AR/FL		3/8"	End	1.67"
Satin	GC/4S/CN/42/AR/FL		3/8"	Center	1.67"



Fascia Mount

Satin	GC/4S/EN/42/AR/FM		3/8"	End	1.67"
Satin	GC/4S/CN/42/AR/FM		3/8"	Center	1.67"

All posts also available in polished 316 stainless steel.

MOUNTING CONDITION	AVAILABLE FINISHES	ITEM #	GLASS THICKNESS	POSITION/ CONNECTION	POST DIAMETER
--------------------	--------------------	--------	-----------------	----------------------	---------------



Floor Mount

Satin	GC/4S/EN/42/FR/FL		3/8"	End	1.67"
Satin	GC/4S/CN/42/FR/FL		3/8"	Center	1.67"
Satin	GC/4S/CR/42/FR/FL		3/8"	Corner	1.67"

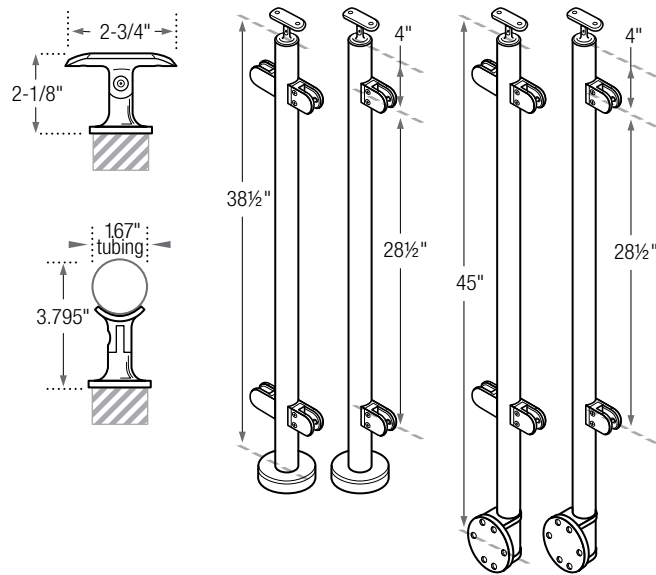


Fascia Mount

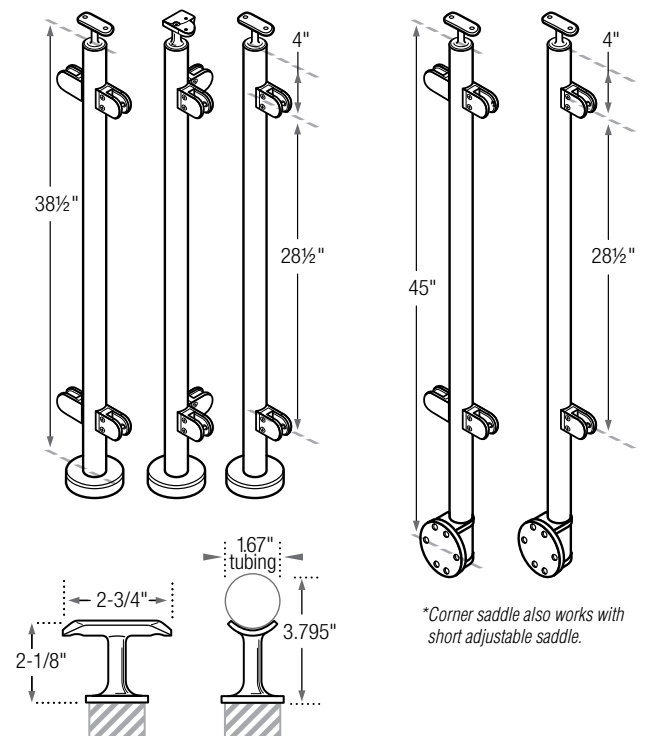
Satin	GC/4S/EN/42/FR/FM		3/8"	End	1.67"
Satin	GC/4S/CN/42/FR/FM		3/8"	Center	1.67"

All posts also available in polished 316 stainless steel.

Center and End



Center, Corner* and End



Wet-Glaze Aluminum Shoe Moulding

Freestanding, frameless Glass Railing Systems offer a classically modern look to your project. The traditional, wet-glaze installation method is a tried and true process that firmly secures the glass into the aluminum base shoe. Mount the shoe directly to the floor or side mount as a fascia-mount.

Add the finishing touch to your Glass Railing project by adding a Channel Tubing handrail. We offer all the necessary components to make installation a breeze.

Please see pages 26–27 for more information.

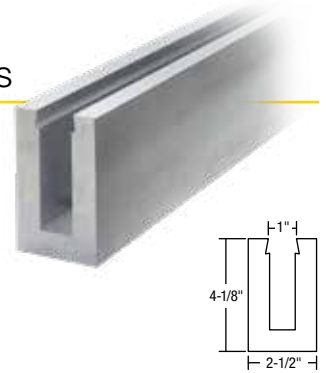


Aluminum Shoe Moulding for 1/2" Glass

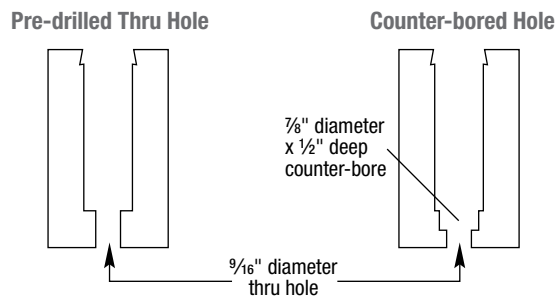
Creates a clean look in Glass Railing.

ITEM #	MATERIAL	PRE-DRILLED HOLES	LENGTH
50-A123B/20	Aluminum	none	20'
50-A123B/DR/20	Aluminum	yes	20'
50-A123B/CB/20	Aluminum	counter-bored	20'

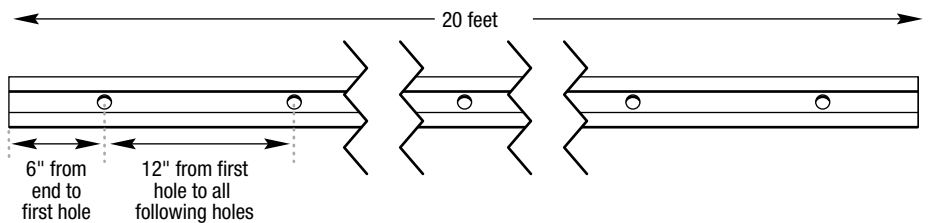
Use with A114U Channel Tube and 85-CTI Rubber Insert. See Page 26.



Pre-drilled Hole Sizes



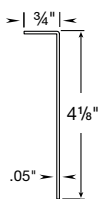
Pre-drilled Hole Locations



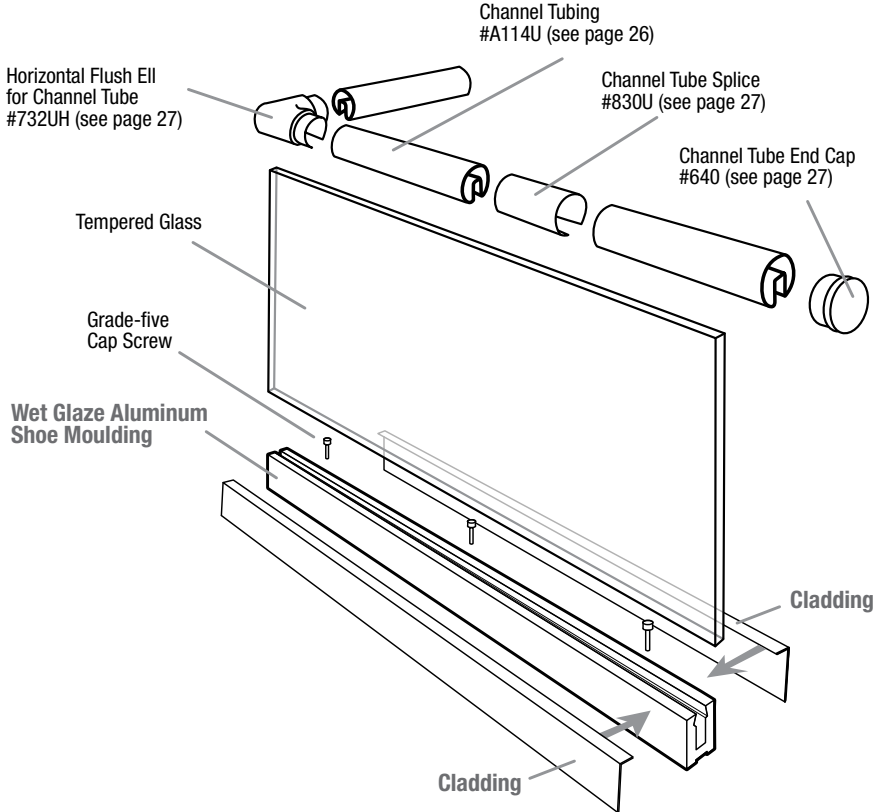
Solid Stainless Steel Cladding

Creates a finished look for the mill-finish aluminum shoe.

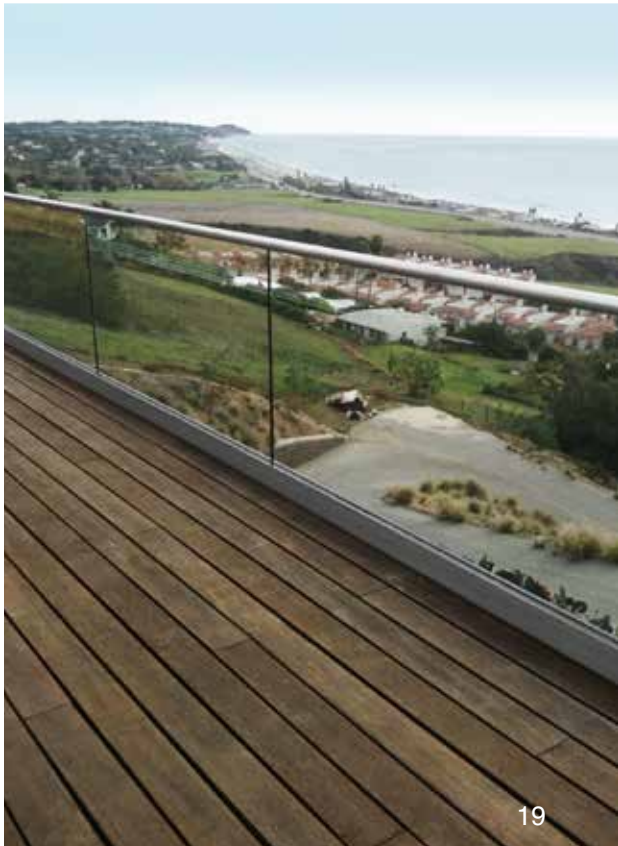
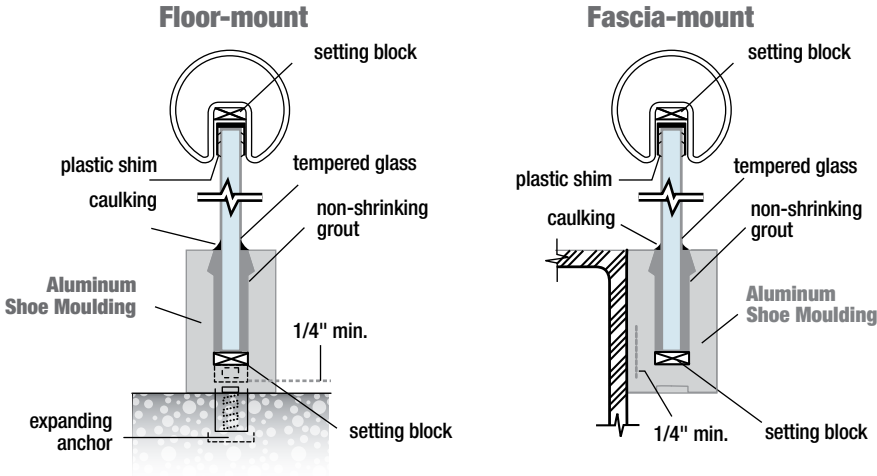
ITEM #	MATERIAL	FINISH	LENGTH
47-CLD04/10	316 Stainless Steel	Polished	10'
49-CLD04/10	316 Stainless Steel	Satin	10'



Glass Railing Assembly



Mounting Conditions



Channel Tubing

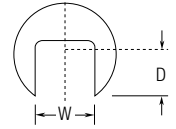
Glass railing offers a clean, elegant and open solution for any environment.

Channel tubing is used to cap the top of the glass panel and gives the railing a finished look.

Channel Tube

Used to finish the top of glass railing.

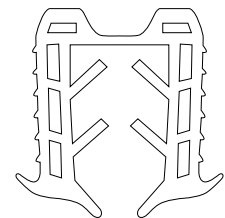
ITEM #	MATERIAL	FINISH	OD	WALL THICK	LENGTH	W	D
44-A114U/16	304	Satin	1.67"	0.06"	16'	0.94"	0.94"
40-A114U/16	304	Polished	1.67"	0.06"	16'	0.94"	0.94"
49-A114U/16	316	Satin	1.67"	0.06"	16'	0.94"	0.94"
47-A114U/16	316	Polished	1.67"	0.06"	16'	0.94"	0.94"



Channel Tube Insert

Used to secure glass inside a Channel Tube.

ITEM #	MATERIAL	GLASS THICK	LENGTH
85-CTI1002	Rubber	1/2"	100'
85-CTI1003	Rubber	3/4"	100'

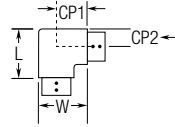


Channel Tube Fittings

Horizontal Flush Ell for Channel Tube

Connects channel tube in 90° angle horizontally.

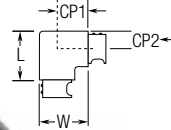
ITEM #	MATERIAL	FINISH	TUBE	WALL THICK	W	L
49-732UH/424	316	Satin	1.67	0.06"	2.03"	2.03"
47-732UH/424	316	Polished	1.67	0.06"	2.03"	2.03"



Vertical Flush Ell for Channel Tube

Connects channel tube in 90° angle vertically.

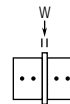
ITEM #	MATERIAL	FINISH	TUBE	WALL THICK	W	L
49-732UV/424	316	Satin	1.67	0.06"	1.97"	1.97"
47-732UV/424	316	Polished	1.67	0.06"	1.97"	1.97"



Channel Tube Splice

Connects channel tube in a straight line.

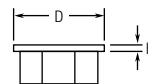
ITEM #	MATERIAL	FINISH	TUBE	WALL THICK	W
49-830U/424	316	Satin	1.67"	.06"	0.24"
47-830U/424	316	Polished	1.67"	.06"	0.24"



Channel Tube End Cap

Closes the end of a channel tube.

ITEM #	MATERIAL	FINISH	TUBE	WALL THICK	D	H
49-640/424	316	Satin	1.67"	.06"	1.67"	0.16"
47-640/424	316	Polished	1.67"	.06"	1.67"	0.16"



Specially designed to fit with glass channel tube, these fittings add a design dimension to the standard linear aspect of glass railing. In addition to the tight fit, each fitting has threaded screw bosses for a more secure connection.



Glass Grips

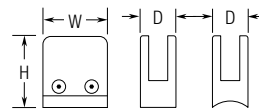
Square Glass Grips

ITEM #	MATERIAL	FINISH	W	H	D	GLASS THICKNESS	MOUNTS ON TO
SMALL GRIPS							
49-850S/F	316	Satin	1.7"	1.7"	.94"	1/4" or 3/8"	Flat Surface
47-850S/F	316	Polished	1.7"	1.7"	.94"	1/4" or 3/8"	Flat Surface
49-850S/1H	316	Satin	1.7"	1.7"	.94"	1/4" or 3/8"	1.5" Tube
47-850S/1H	316	Polished	1.7"	1.7"	.94"	1/4" or 3/8"	1.5" Tube

LARGE GRIPS							
49-860S/F	316	Satin	2.13"	2.13"	1.3"	3/8" or 1/2"	Flat Surface
47-860S/F	316	Polished	2.13"	2.13"	1.3"	3/8" or 1/2"	Flat Surface
49-860S/424	316	Satin	2.13"	2.13"	1.3"	3/8" or 1/2"	1.67" Tube
47-860S/424	316	Polished	2.13"	2.13"	1.3"	3/8" or 1/2"	1.67" Tube

Radius Glass Grips

ITEM #	MATERIAL	FINISH	W	H	D	GLASS THICKNESS	MOUNTS ON TO
SMALL GRIPS							
49-850R/424	316	Satin	1.5"	1.93"	1"	1/4" or 3/8"	1.67" Tube
47-850R/424	316	Polished	1.5"	1.93"	1"	1/4" or 3/8"	1.67" Tube
MEDIUM GRIPS							
49-851R/F	316	Satin	1.7"	2.32"	1.02"	1/4" or 3/8"	Flat Surface
47-851R/F	316	Polished	1.7"	2.32"	1.02"	1/4" or 3/8"	Flat Surface
49-851R/1H	316	Satin	1.7"	2.32"	1.02"	1/4" or 3/8"	1.5" Tube
47-851R/1H	316	Polished	1.7"	2.32"	1.02"	1/4" or 3/8"	1.5" Tube
49-851R/424	316	Satin	1.7"	2.32"	1.02"	1/4" or 3/8"	1.67" Tube
47-851R/424	316	Polished	1.7"	2.32"	1.02"	1/4" or 3/8"	1.67" Tube
49-852R/424	316	Satin	1.7"	2.32"	1.15"	3/8" or 1/2"	1.67" Tube
47-852R/424	316	Polished	1.7"	2.32"	1.15"	3/8" or 1/2"	1.67" Tube
LARGE GRIPS							
49-860R/F	316	Satin	2.12"	2.36"	1.3"	3/8" or 1/2"	Flat Surface
47-860R/F	316	Polished	2.12"	2.36"	1.3"	3/8" or 1/2"	Flat Surface
49-860R/2	316	Satin	2.12"	2.63"	1.3"	3/8" or 1/2"	2" Tube
47-860R/2	316	Polished	2.12"	2.63"	1.3"	3/8" or 1/2"	2" Tube



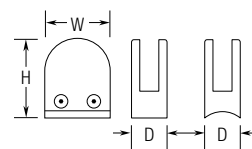
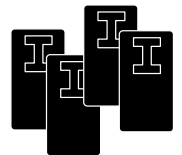
Mounts to flat surface.



Mounts to tubing.

Rubber Inserts

ITEM #	USE WITH	GLASS THICKNESS
85-GG1003	Small Grips	1/4"
85-GG1004	Small Grips	3/8"
85-GG1005	Large Grips	3/8"
85-GG1006	Large Grips	1/2"



Mounts to flat surface.



Mounts to tubing.

Rubber Inserts for Radius Glass Grips

ITEM #	USE WITH	GLASS THICKNESS
85-GG1007	Small Grips	1/4"
85-GG1008	Small Grips	3/8"
85-GG1009	Medium Grips	1/4"
85-GG1010	Medium Grips	3/8"
85-GG1015	Medium Grips	1/2"
85-GG1013	Large Grips	3/8"
85-GG1011	Large Grips	1/2"

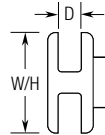
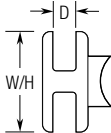


Rubber Inserts come in pairs.

Round Glass Grips



ITEM #	MATERIAL	FINISH	W	H	D	GLASS THICKNESS	MOUNTS ON TO
CENTER GRIPS							
49-846C/F	316	Satin	2.30"	2.30"	1/2"	1/2"	Flat Surface
49-846C/424	316	Satin	2.30"	2.30"	1/2"	1/2"	1.67" Tube
END GRIPS							
49-846E/F	316	Satin	2.30"	2.30"	1/2"	1/2"	Flat Surface
49-846E/424	316	Satin	2.30"	2.30"	1/2"	1/2"	1.67" Tube



Rubber Inserts for Round Glass Grips

ITEM #	USE WITH	GLASS THICKNESS
85-GG1002	Round Grips	1/2"



Rubber Inserts come in pairs.



Mounts to flat surface. Mounts to tubing.



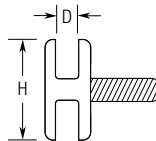
Universal Round Glass Grip

ITEM #	MATERIAL	FINISH	D	H	MOUNTS TO
49-842/F	316	Satin	Up to 1/2"	1.57"	Flat Surface
49-842/424	316	Satin	Up to 1/2"	1.57"	1.67"-diameter tube



Mounts to flat surface.

Mounts to tubing.



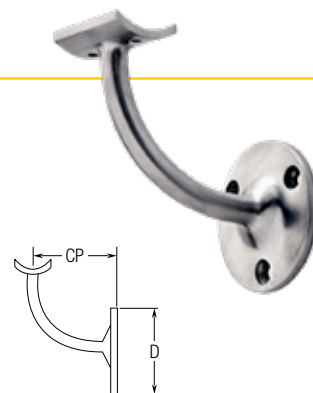
Handrail Brackets

Handrail brackets serve the simple yet important function of supporting horizontal and stair rail tubing. Fixed and adjustable brackets are among the options. Available in satin and polished finishes, they allow for a modern looking and solid solution to both outdoor and indoor needs.

Handrail Bracket

Standard bracket for mounting railing on walls.

ITEM #	MATERIAL	FINISH	TUBE	CP	D
49-301/1H	316	Satin	1.5"	2.56"	2.5"
47-301/1H	316	Polished	1.5"	2.56"	2.5"
49-301/424	316	Satin	1.67"	2.625"	2.56"
47-301/424	316	Polished	1.67"	2.625"	2.56"
49-301/2	316	Satin	2"	2.75"	2.5"
47-301/2	316	Polished	2"	2.75"	2.5"



Glass-mounted Handrail Bracket

Mounts directly to glass panel railing to support a handrail.

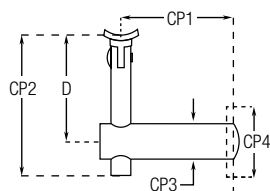
ITEM #	MATERIAL	FINISH	TUBE	CP	D
49-304/1H	316	Satin	1.5"	2.625"	2.5"
47-304/1H	316	Polished	1.5"	2.625"	2.5"
49-304/2	316	Satin	2"	2.625"	2.5"
47-304/2	316	Polished	2"	2.625"	2.5"



Adjustable Handrail Brackets

The structural and elevation variances encountered in buildings or sites can cause headaches when trying to align handrails. Our adjustable handrail brackets make these issues disappear. The unparalleled adjustments allow you to compensate up to 2" in height, along with an unlimited degree of pitch and rotation, providing maximum support for your handrail. Available with 3 mounting choices — square post, round post, and wall.

ITEM #	MATERIAL	FINISH	TUBE	MOUNTS TO	CP1	CP2	CP3	CP4	D
49-309P/424	316	Satin	1.5"	Post [1.67"]	3.150"	3.937"	0.984"	0.984"	1.18"–3.15"
49-309PF/1H	316	Satin	1.5"	Flat Surface [tube]	3.150"	3.937"	0.984"	0.984"	1.18"–3.15"
49-309/1H	316	Satin	1.5"	Wall	3.150"	3.937"	0.984"	0.984"	1.18"–3.15"



Tall Handrail Saddles

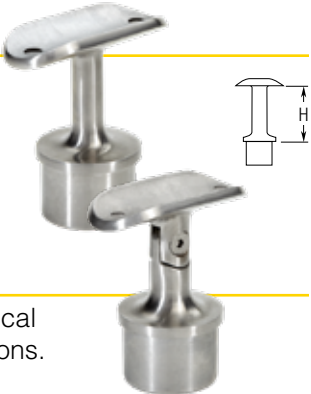
Tall straight saddle is used to connect a vertical post to a horizontal tube, creating a handrail.

ITEM #	MATERIAL	FINISH	TUBE	WALL THICK	H
49-350/424	316	Satin	1.67"	0.08"	3"
49-350/216	316	Satin	2"	0.062"	3"



The tall adjustable saddle is used to connect a vertical post to a horizontal tube at an angle for stair applications.

ITEM #	MATERIAL	FINISH	TUBE	WALL THICK	H
49-350A/424	316	Satin	1.67"	0.08"	3"
49-350A/216	316	Satin	2"	0.060"	3"



Short Handrail Saddles

The short straight saddle is used to connect a vertical post to a horizontal tube, creating a handrail.

ITEM #	MATERIAL	FINISH	TUBE	WALL THICK	H
49-352/424	316	Satin	1.67"	0.08"	1.72"
49-352/216	316	Satin	2"	0.06"	2"



The short adjustable saddle is used to connect a vertical post to a horizontal tube at an angle for stair applications.

ITEM #	MATERIAL	FINISH	TUBE	WALL THICK	H
49-352A/424	316	Satin	1.67"	0.08"	1.72"

The short corner saddle is used to connect a vertical post to horizontal tubing at a right angle for corner

ITEM #	MATERIAL	FINISH	TUBE	WALL THICK	H
49-352L/424	316	Satin	1.67"	0.08"	1.72"



Adjustable Ball Saddle

Used to connect a vertical post to a horizontal tube, enabling it to be angled for stair applications.

ITEM #	MATERIAL	FINISH	TUBE	WALL THICK	H
49-821/424	316	Satin	1.67"	0.08"	2.36"
47-821/424	316	Polished	1.67"	0.08"	2.36"
49-821/1H16	316	Satin	1.5"	0.06"	1.7"



Interchangeable Components

An innovative system that allows you to customize a variety of handrail and short rail projects.

Custom and special orders available.



Handrail Saddle

ITEM #	MATERIAL	FINISH	TUBING
49-300HS/1H	316	Satin	1.5"
49-300HS/2	316	Satin	2"
49-300HS/F	316	Satin	Flat Surface



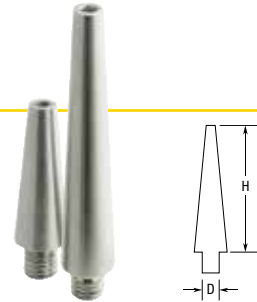
Post Saddle

ITEM #	MATERIAL	FINISH	TUBING
49-300PS/1H	316	Satin	1.5"
49-300PS/2	316	Satin	2"
49-300PS/F	316	Satin	Flat Surface



Bracket Stem

ITEM #	MATERIAL	FINISH	H	D
49-300STM	316	Satin	2.25"	.63"
49-300STM/L	316	Satin	4.34"	.63"



Bracket Mounting Plate

ITEM #	MATERIAL	FINISH	DIAMETER
49-300P	316	Satin	3"



Undrilled Bracket Mounting Plate

ITEM #	MATERIAL	FINISH	DIAMETER
49-300P/U	316	Satin	3"



Glass Mount Back Plate

ITEM #	MATERIAL	FINISH	DIAMETER
49-300GP	316	Satin	3"



Low Saddle Post

Designed to mount a horizontal tube.

ITEM #	DESCRIPTION	MATERIAL	FINISH	TUBE	CP	D
49-348/1H	Drilled	316	Satin	1.5"	3.875"	3"
49-348/2	Drilled	316	Satin	2"	3.875"	3"
49-348U/1H	Undrilled	316	Satin	1.5"	3.875"	3"
49-348U/2	Undrilled	316	Satin	2"	3.875"	3"

Ships unassembled.



Tall Saddle Post

Designed to mount a horizontal tube.

ITEM #	DESCRIPTION	MATERIAL	FINISH	TUBE	CP	D
49-348L/1H	Drilled	316	Satin	1.5"	6.125"	3"
49-348L/2	Drilled	316	Satin	2"	6.25"	3"
49-348L/U/1H	Undrilled	316	Satin	1.5"	6.125"	3"
49-348L/U/2	Undrilled	316	Satin	2"	6.25"	3"

Ships unassembled.

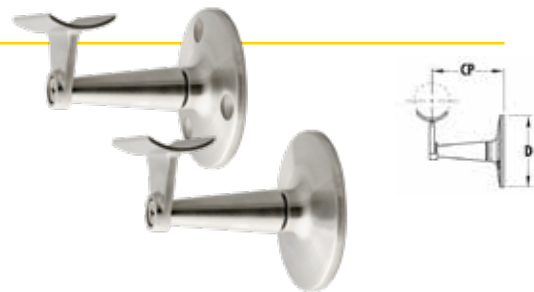


Handrail Bracket

Designed to mount railing to walls.

ITEM #	DESCRIPTION	MATERIAL	FINISH	TUBE	CP	D
49-308/1H	Drilled	316	Satin	1.5"	3"	3"
49-308/2	Drilled	316	Satin	2"	3"	3"
49-308U/1H	Undrilled	316	Satin	1.5"	3"	3"
49-308U/2	Undrilled	316	Satin	2"	3"	3"

Ships unassembled.



Glass Mount Rail Bracket

Designed to mount railing to glass walls.

ITEM #	MATERIAL	FINISH	TUBE	CP	H
49-308GM/1H	316	Satin	1.5"	3.063"	3"
49-308U/2	316	Satin	2"	3.063"	3"

Ships unassembled.



Post-Mounting Hardware

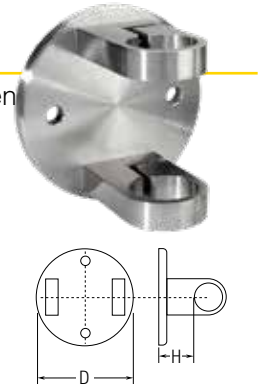
Fascia mounting allows supporting posts or rails to be mounted to the sides of staircases or directly to walls. Our stylish fascia mounts are the perfect solution when either the situation, design or materials make it inaccessible for floor- or surface-mounting.



Fascia Mount

Tubing is threaded through dual round clamps which, when tightened with screws, offer a secure connection.

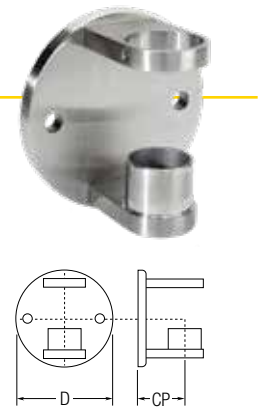
ITEM #	MATERIAL	FINISH	TUBE	WALL THICK	D	H
49-WA102/424	316	Satin	1.67"	0.08"	4.72"	1.77"
49-WA102/1H	316	Satin	1.5"	0.06"	4.72"	1.88"
49-WA102/2	316	Satin	2"	0.06"	4.72"	Call



Fascia Mount

Tubing passes through one round clamp and terminates on a secure bottom cap.

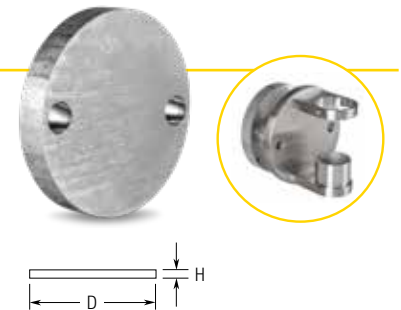
ITEM #	MATERIAL	FINISH	TUBE	WALL THICK	D	CP
49-WA103/424	316	Satin	1.67"	0.08"	4.33"	1.97"
47-WA103/424	316	Polished	1.67"	0.08"	4.33"	1.97"
49-WA103/1H	316	Satin	1.5"	0.06"	4.33"	1.97"
49-WA103/2	316	Satin	2"	0.06"	4.33"	2.07"



Spacer

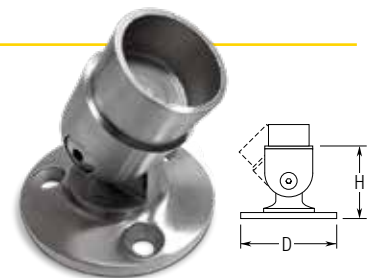
Used to create a stand-off from the mounting surface for a fascia mount.

ITEM #	MATERIAL	FINISH	D	H
51-WAS001/4	Aluminum	Mill	4"	5/8"



Adjustable Angle Flange

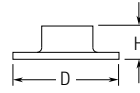
ITEM #	MATERIAL	FINISH	TUBE	WALL THICK	D	H
49-533/424	316	Satin	1.67"	0.08"	3.30"	2.38"



Wall Flange

An elegant flange useful for mounting tube to walls or surface. Light duty.

ITEM #	MATERIAL	FINISH	TUBE	D	H
49-510/424	316	Satin	1.67"	3.35"	1"
47-510/424	316	Polished	1.67"	3.35"	1"
49-510/1H	316	Satin	1.5"	3"	1"
47-510/1H	316	Polished	1.5"	3"	1"
49-530/2	316	Satin	2"	3.75"	1"
47-530/2	316	Polished	2"	3.75"	1"

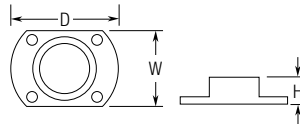


Wall flanges and floor flanges available for almost any mounting condition. Available with matching hardware.

Cut Wall Flange

A flange useful for placing tube in tight locations.

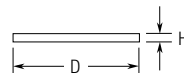
ITEM #	MATERIAL	FINISH	TUBE	D	W	H
49-511/424	316	Satin	1.67"	3.35"	2.12"	1"



Floor Flange

Suitable for stronger support. Designed to be welded to tube and to be used with a flange canopy.

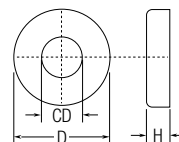
ITEM #	MATERIAL	FINISH	TUBE	D	H
49-541/424	316	Satin	1.67"	3.94"	.32"
49-541/1H	316	Satin	1.5"	3.94"	.32"
49-541/2	316	Satin	2"	4.93"	.32"



Flange Canopy

Canopy designed to cover floor flanges.

ITEM #	MATERIAL	FINISH	TUBE	D	CD	H
49-540/424	316	Satin	1.67"	4.13"	1.69"	1"
47-540/424	316	Polished	1.67"	4.13"	1.69"	1"
49-540/1H	316	Satin	1.5"	4.13"	1.52"	1"
47-540/1H	316	Polished	1.5"	4.13"	1.52"	1"
49-540/2	316	Satin	2"	5.13"	2.02"	1"
47-540/2	316	Polished	2"	5.13"	2.02"	1"



Flush Fittings

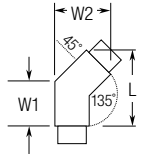
Flush fittings allow for a large variety of tube connection options, for railing or other projects such as bathroom sink vanities or store shelving/displays. A variety of 90 degree angle options are available. Plus by using an adjustable ell, you can create additional angles.



Flush 135° Angle

Useful for creating 45° angle when using one and 90° angles when using two of these.

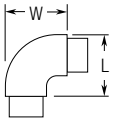
ITEM #	MATERIAL	FINISH	TUBE	WALL THICK	W1	W2	L
49-730/424	316	Satin	1.67"	0.08"	1.97"	2.60"	3.34"
47-730/424	316	Polished	1.67"	0.08"	1.97"	2.60"	3.34"
49-730/1H16	316	Satin	1.5"	.06"	1.77"	Call	3.18"
47-730/1H16	316	Polished	1.5"	.06"	1.77"	Call	3.18"
49-730/216	316	Satin	2"	.06"	1.96"	Call	3.30"
47-730/216	316	Polished	2"	.06"	1.96"	Call	3.30"



Flush Radius Ell

Connect two tubes at a 90° angle.

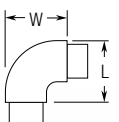
ITEM #	MATERIAL	FINISH	TUBE	WALL THICK	W	L
49-731/424	316	Satin	1.67"	0.08"	2.55"	2.55"
47-731/424	316	Polished	1.67"	0.08"	2.55"	2.55"
49-731/1H16	316	Satin	1.5"	.06"	2.87"	2.87"
47-731/1H16	316	Polished	1.5"	.06"	2.87"	2.87"
49-731/216	316	Satin	2"	.06"	2.96"	2.96"
47-731/216	316	Polished	2"	.06"	2.96"	2.96"



Adjustable Radius Ell

Same look as the Flush Radius Ell and can be used for various angles.

ITEM #	MATERIAL	FINISH	TUBE	WALL THICK	W	L
49-731A/424	316	Satin	1.67"	0.08"	2.76"	2.76"
47-731A/424	316	Polished	1.67"	0.08"	2.76"	2.76"



Flush Ell

Connect two tubes at a 90° angle.

ITEM #	MATERIAL	FINISH	TUBE	WALL THICK	W	L
49-732/424	316	Satin	1.67"	0.08"	2.56"	2.56"
47-732/424	316	Polished	1.67"	0.08"	2.56"	2.56"
49-732/1H16	316	Satin	1.5"	.06"	2.25"	2.25"
47-732/1H16	316	Polished	1.5"	.06"	2.25"	2.25"
49-732/216	316	Satin	2"	.06"	2.75"	2.75"
47-732/216	316	Polished	2"	.06"	2.75"	2.75"



Adjustable Flush Ell

Connect two tubes at various angles.

ITEM #	MATERIAL	FINISH	TUBE	WALL THICK	H
49-732A/424	316	Satin	1.67"	0.08"	2.10"
47-732A/424	316	Polished	1.67"	0.08"	2.10"
49-732A/1H16	316	Satin	1.5"	.06"	1.75"
47-732A/1H16	316	Polished	1.5"	.06"	1.75"
49-732A/216	316	Satin	2"	.06"	2.12"
47-732A/216	316	Polished	2"	.06"	2.12"



Flush Side Outlet Ell

Connect three tubes at 90° angles.

ITEM #	MATERIAL	FINISH	TUBE	WALL THICK	W	L
49-733/424	316	Satin	1.67"	0.08"	2.56"	2.56"
47-733/424	316	Polished	1.67"	0.08"	2.56"	2.56"
49-733/1H16	316	Satin	1.5"	.06"	2.25"	2.25"
47-733/1H16	316	Polished	1.5"	.06"	2.25"	2.25"
49-733/216	316	Satin	2"	.06"	2.75"	2.75"
47-733/216	316	Polished	2"	.06"	2.75"	2.75"

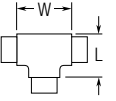


Flush Fittings



Flush Tee

Connect three tubes: one at a 90° angle and two in a straight line.

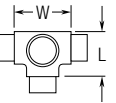


ITEM #	MATERIAL	FINISH	TUBE	WALL THICK	W	L
49-734/424	316	Satin	1.67"	0.08"	3.43"	2.56"
47-734/424	316	Polished	1.67"	0.08"	3.43"	2.56"
49-734/1H16	316	Satin	1.5"	.06"	3.02"	2.25"
47-734/1H16	316	Polished	1.5"	.06"	3.02"	2.25"
49-734/216	316	Satin	2"	.06"	3.58"	2.75"
47-734/216	316	Polished	2"	.06"	3.58"	2.75"



Flush Side Outlet Tee

Commonly used when connecting center rails at 90° angles.

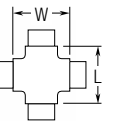


ITEM #	MATERIAL	FINISH	TUBE	WALL THICK	W	L
49-735/424	316	Satin	1.67"	0.08"	3.5"	2.56"
47-735/424	316	Polished	1.67"	0.08"	3.5"	2.56"
49-735/1H16	316	Satin	1.5"	.06"	3.02"	2.25"
47-735/1H16	316	Polished	1.5"	.06"	3.02"	2.25"
49-735/216	316	Satin	2"	.06"	3.58"	2.75"
47-735/216	316	Polished	2"	.06"	3.58"	2.75"



Flush Cross

Rare fitting used to connect four tubes at 90° angles.

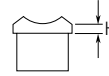


ITEM #	MATERIAL	FINISH	TUBE	WALL THICK	W	L
49-736/424	316	Satin	1.67"	.08"	3.43"	3.43"
47-736/424	316	Polished	1.67"	.08"	3.43"	3.43"



Perpendicular Collar

Connect one tube to another by welding or using a screw and insert.

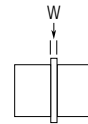


ITEM #	MATERIAL	FINISH	TUBE	WALL THICK	H
49-818/424	316	Satin	1.67"	0.08"	0.25"
47-818/424	316	Polished	1.67"	0.08"	0.25"
49-818/1H16	316	Satin	1.5"	.06"	0.25"
47-818/1H16	316	Polished	1.5"	.06"	0.25"
49-818/216	316	Satin	2"	.06"	0.25"
47-818/216	316	Polished	2"	.06"	0.25"



Splice

Connects two tubes in a straight line with a small center piece in a matching finish.

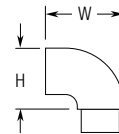


ITEM #	MATERIAL	FINISH	TUBE	WALL THICK	W
49-830/424	316	Satin	1.67"	0.08"	0.16"
47-830/424	316	Polished	1.67"	0.08"	0.16"
49-830/1H16	316	Satin	1.5"	0.06"	0.20"
47-830/1H16	316	Polished	1.5"	0.06"	0.20"
49-830/216	316	Satin	2"	0.06"	0.20"
47-830/216	316	Polished	2"	0.06"	0.20"



Radius Wall Return

Brings the end of a wall-mounted handrail toward the wall.



ITEM #	MATERIAL	FINISH	TUBE	WALL THICK	W	H
49-608/424	316	Satin	1.67"	0.08"	2.56"	2.56"
47-608/424	316	Polished	1.67"	0.08"	2.56"	2.56"
49-608/1H16	316	Satin	1.5"	0.06"	3.00"	3.00"
47-608/1H16	316	Polished	1.5"	0.06"	3.00"	3.00"
49-608/216	316	Satin	2"	0.06"	3.75"	3.75"
47-608/216	316	Polished	2"	0.06"	3.75"	3.75"



End Caps and Finials

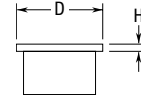
Finial options allow the end of a tube to be safely sealed. Radius wall returns offer the ability to wrap wall-mounted rail towards the wall. Flush end caps are designed to fit in by pressure: simply use a rubber hammer to hit the piece into place.



End Caps

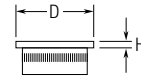
Flush End Cap provides a clean, flat end for tubing.

ITEM #	MATERIAL	FINISH	WALL THICK	D	H
49-600/1H16	316	Satin	0.06"	1.5"	0.13"
47-600/1H16	316	Polished	0.06"	1.5"	0.13"
49-600/216	316	Satin	0.06"	2"	0.13"
47-600/216	316	Polished	0.06"	2"	0.13"



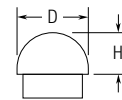
Knurled End Cap creates a flat, finished end for tubing. The knurled texture on the neck provides a secure pressure fit.

ITEM #	MATERIAL	FINISH	WALL THICK	D	H
49-600PF/424	316	Satin	.08"	1.67"	0.14"
47-600PF/424	316	Polished	.08"	1.67"	0.14"
49-600PF/1H16	316	Satin	.06"	1.5"	0.14"
47-600PF/1H16	316	Polished	.06"	1.5"	0.14"
49-600PF/216	316	Satin	.06"	2"	0.14"
47-600PF/216	316	Polished	.06"	2"	0.14"



Half-ball Rounded End Cap creates a rounded, finished end for tubing.

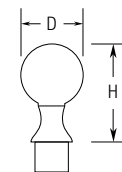
ITEM #	MATERIAL	FINISH	WALL THICK	D	H
49-602/424	316	Satin	0.08"	1.67"	0.83"
47-602/424	316	Polished	0.08"	1.67"	0.83"



Ball Finial

Decorative ball that closes the end of a vertical or horizontal tube

ITEM #	MATERIAL	FINISH	TUBE	WALL THICK	H	D
49-604/424	316	Satin	1.67"	0.08"	4.09"	2.75"
47-604/424	316	Polished	1.67"	0.08"	4.09"	2.75"
49-604/1H16	316	Satin	1.5"	0.06"	4.05"	2.75"
47-604/1H16	316	Polished	1.5"	0.06"	4.05"	2.75"
49-604/216	316	Satin	2"	0.06"	4.55"	3.08"
47-604/216	316	Polished	2"	0.06"	4.55"	3.08"



Radius Wall Return

For details, please see page 33.



Tubing

ITEM #	MATERIAL	FINISH	OD	WALL THICK	LENGTH
49-A111/20	316	Satin	1.5"	0.06"	20'
47-A111/20	316	Polished	1.5"	0.06"	20'
49-A114/20	316	Satin	1.67"	0.08"	20'
47-A114/20	316	Polished	1.67"	0.08"	20'
49-A121/20	316	Satin	2"	0.06"	20'
47-A121/20	316	Polished	2"	0.06"	20'



Adhesive and Polish

ITEM #	PRODUCT	DESCRIPTION
00202	Lavi Metal Polish	Polish
00201	Loctite 326	Adhesive
00211	Loctite 7649	Primer
00203	MAAS Stainless Steel Cleaner	Cleaner
00204	MAAS Polishing Cloth	Cloth





© 2020 Lavi Industries. All Rights Reserved.

Lido-Tone and GlassGrip are registered trademarks of Lavi Industries.

All product designs © Lavi Industries.

No part of this catalog may be reproduced or transmitted in any form or by any means, electronic or mechanical, including photocopying, recording, or by any information storage and retrieval system, without prior written permission from Lavi Industries.

Lavi Industries has a policy of continuous development and improvement to our product line. Specifications, data, and dimensions may change without notice. When these specifications or colors are critical, consult the factory for current information.

Lavi Industries *Stainless Steel Railing Systems*

Lavi Industries Corporate Headquarters

27810 Avenue Hopkins
Valencia, CA 91355
800.624.6225
661.257.7800
661.257.4938 FAX

railings.lavi.com • railings@lavi.com • 877.275.5284