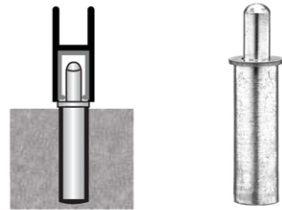
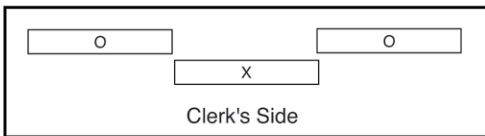
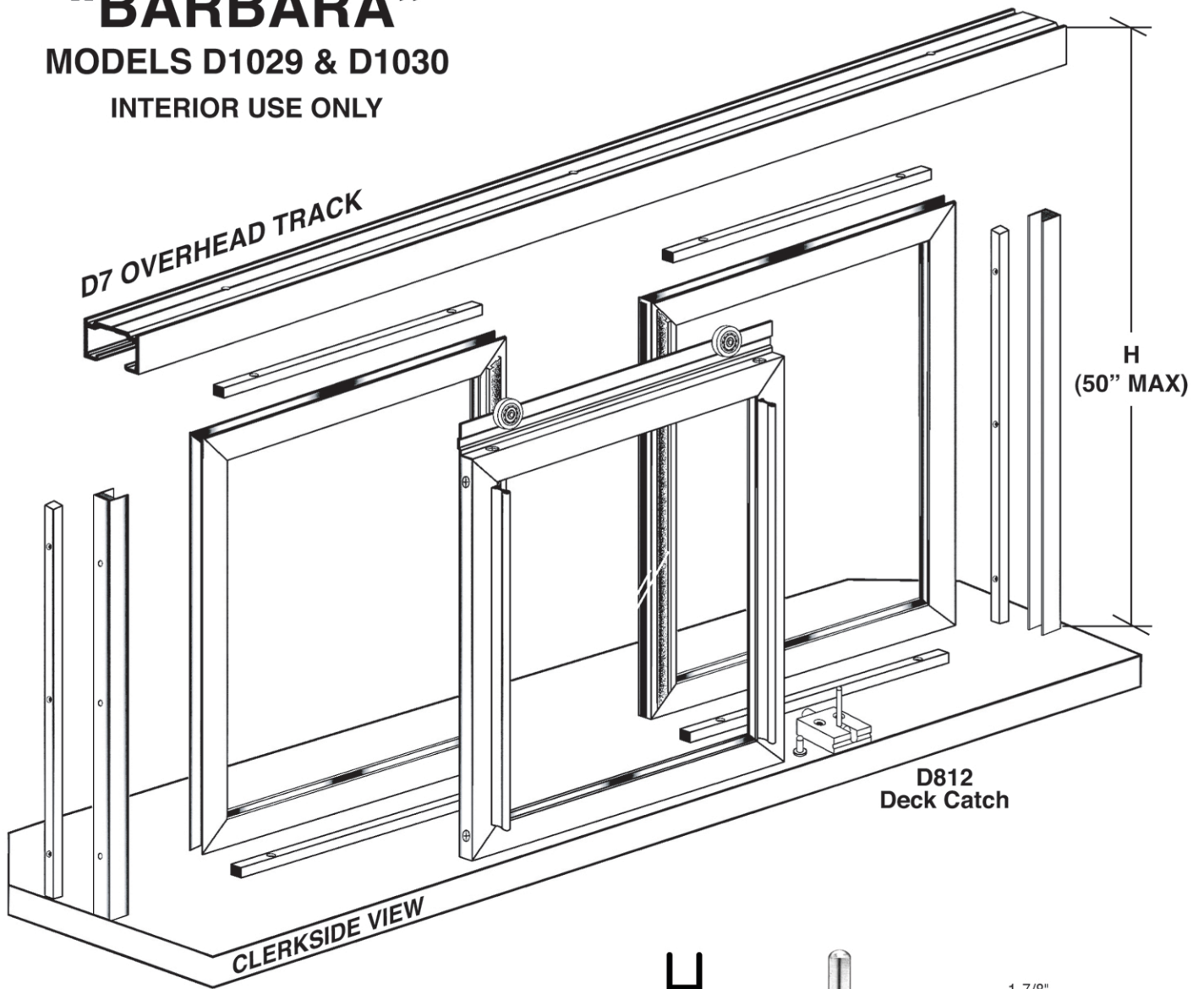


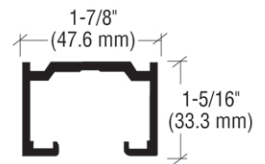
# “BARBARA”

## MODELS D1029 & D1030

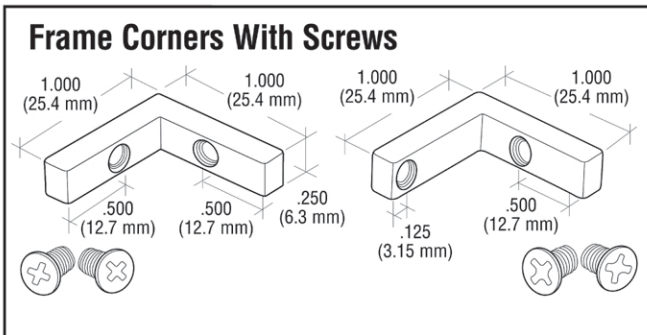
INTERIOR USE ONLY



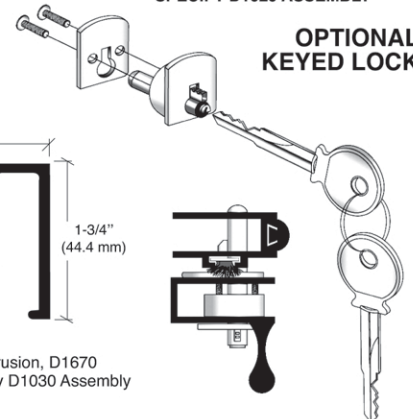
**SPRING-LOADED D35 GUIDE**



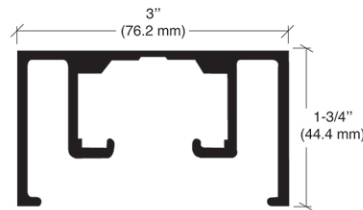
**STANDARD D7 OVERHEAD TRACK**  
SPECIFY D1029 ASSEMBLY



AVD3958, Barbara, 1029&1030 WEB



**OPTIONAL KEYED LOCK**



**D1670 OVERHEAD TRACK**  
When Matching a Store Front Extrusion, D1670 Upper Track may be used. Specify D1030 Assembly