

# PASS-THRU WINDOWS

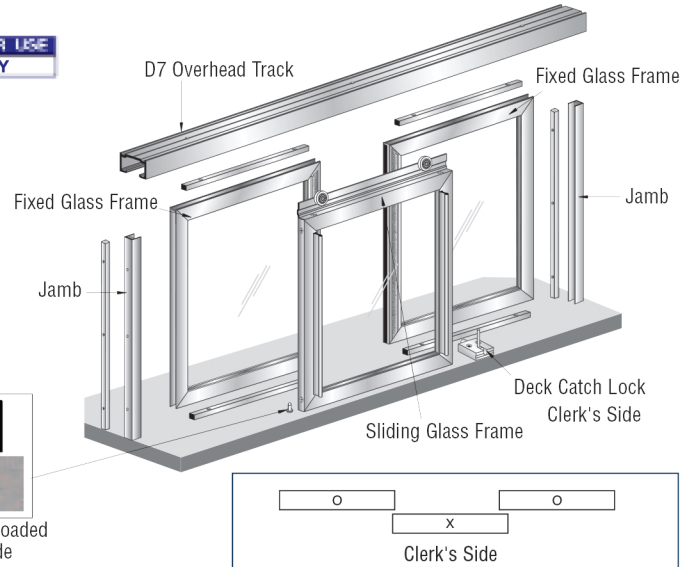
## Barbara Model Pass-Thru

- Three Panels: Two Fixed, One Sliding
- Two Overhead Track Options

Barbara Pass-Thru Assemblies are equally divided, three panel windows that have a center sliding panel. Screens are not available.

CAT. NO.	FINISH	OVERHEAD TRACK
D1029A	Satin Anodized	D7
D1029DU	Duranodic Bronze	D7
D1030A	Satin Anodized	D1670
D1030DU	Duranodic Bronze	D1670

Minimum order: 1 each.



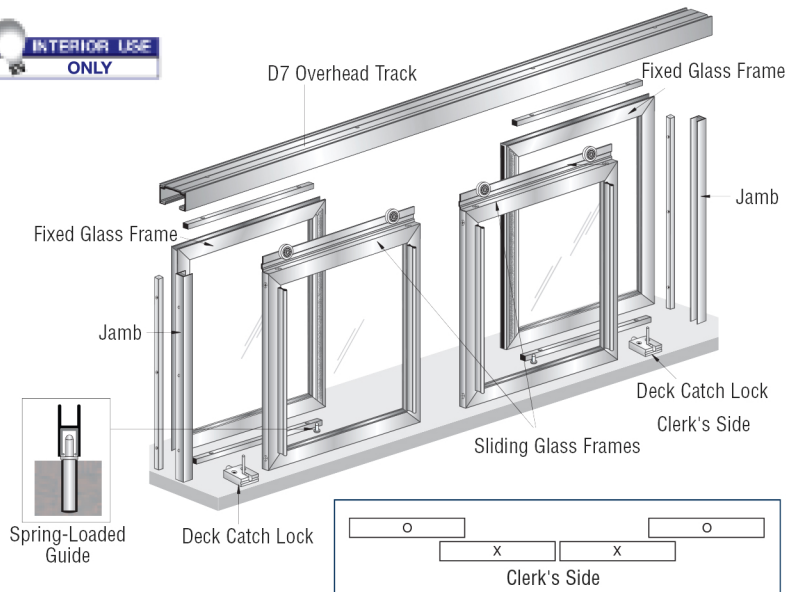
## Diane Model Pass-Thru

- Four Panels: Two Fixed, Two Sliding
- Two Overhead Track Options

The Diane Pass-Thru has two sliding panels that meet in the center and are flanked by fixed side panels, giving you an extra wide, unobstructed counter surface. Screens are not available.

CAT. NO.	FINISH	OVERHEAD TRACK
D1031A	Satin Anodized	D7
D1031DU	Duranodic Bronze	D7
D1032A	Satin Anodized	D1670
D1032DU	Duranodic Bronze	D1670

Minimum order: 1 each.



## Daisy Model Pass-Thru

- Two Sliding Glass Panels
- Available With or Without Jamb

The Daisy Pass-Thru is the finest window of its type. The two panels are equally divided (both sliding), giving you the benefit of an unobstructed counter surface and an easy rolling overhead track. Ideal for receptionist window, cashier window, office, and pass-thru applications.

Two types of headers are available: the standard D6 Overhead Track, or the back-loading D4 Overhead Track. You have the option of ordering it with or without jambs. Screens are not available.

CAT. NO.	FINISH	OVERHEAD TRACK	JAMBS
D1040A	Satin Anodized	D4	Yes
D1040DU	Duranodic Bronze	D4	Yes
D1041A	Satin Anodized	D6	Yes
D1041DU	Duranodic Bronze	D6	Yes
D1042A	Satin Anodized	D4	No
D1042DU	Duranodic Bronze	D4	No
D1043A	Satin Anodized	D6	No
D1043DU	Duranodic Bronze	D6	No

Minimum order: 1 each.

