



PARTS PRICE LIST



jackson
C o r p o r a t i o n

3447 Union Pacific Avenue • Los Angeles, California 90023
323-269-8111

Customer Service Phone 800-533-6229
Fax Numbers: Administration 323-269-1872 • Customer Service 800-888-6855
www.jacksonexit.com • e-mail: custserv@jacksonexit.com



GENERAL INFORMATION

JACKSON CORPORATION

3447 Union Pacific Ave.
Los Angeles, CA 90023
www.jacksonexit.com



Administration

Phone: 323-269-8111
Fax: 323-269-1872
E-mail: Jacksoncorp@Jacksonexit.com

International

Jackson International
P.O. Box 62
Wednesbury, West Midlands
United Kingdom WS10 9JA
Phone: 44-121-568-2111
Fax: 44-121-568-2113

Sales

Phone: 800-533-6229
Fax: 800-888-6855
E-mail: Sales@Jacksonexit.com

Customer Service

Phone: 800-533-6229
Fax: 800-888-6855
E-mail: Custserv@Jacksonexit.com

Technical Services

Phone: 323-269-8111
Fax: 323-269-1872
E-mail: terry@Jacksonexit.com

Templates

Specific Templates Furnished Upon Request
Phone: 323-269-8111
Fax: 323-269-1872
E-mail: Custserv@Jacksonexit.com

STANDARD TERMS AND CONDITIONS OF SALE

All sales by Jackson Corporation of the items in this price list (as well as all "custom" variations) are made pursuant to these Standard Terms and Conditions of Sale. We will not be bound by the terms and conditions stated in a customer's purchase order to the extent that the purchase order attempts to modify or supplement in any way any of these Standard Terms and Conditions.

FREIGHT AND DELIVERY POLICIES:

All sales are F.O.B. our facility.

Claims for shortage or damage must be made directly to the carrier no later than five (5) days from the date of arrival of a shipment. All shipment and delivery dates in an acknowledgement are estimates only. We are not liable for air freight or any other charges, losses or damages if goods are not shipped on the estimated date.

TERMS AND PRICES

There shall be a minimum charge of \$100.00 net per invoice.

All prices are subject to all federal and state taxes of any kind where applicable.

1% 10 days, net 30 days from date of invoice. Date of invoice shall be date of shipment. Past due accounts are subject to a service charge equal to 11/2% per month, but in no event higher than the maximum rate (if any) permitted by applicable law. In addition to such service charges, costs and expenses associated with collection of past due amounts, including attorney's fees, shall be added to amounts past due.

We reserve the right to invoice all orders at prices in effect at time of shipment. All prices are subject to change or withdrawal without notice.

ORDER CANCELLATION TERMS AND CHARGES

Cancellation of standard orders will be accepted only if made in writing and received one week prior to shipment of order. Special or custom orders may not be canceled after 3 days following date of acknowledgement. A cancellation charge up to the price of the product will be made on any special or custom made items if same are not cancelled after such 3-day period.

RETURNS POLICY

All sales are final. However, in some cases returns may be allowed. Products will not be accepted for return without our written approval and unless accompanied by a properly authorized "Return Goods Authorization" from us. Return freight must be prepaid. Non-special or non-custom products accepted for return will be issued a credit at the price invoiced, from which will be deducted the expense for return transportation (if not prepaid). All returns are subject to a minimum restocking charge of 25% of the invoice price.

Special or custom made products including units that are modified from standard units cannot be returned for cash, credit or exchange.

TEMPLATES

Specific templates will be furnished upon request. In no event shall we be liable for any damages if latest templates are not used. Templates pertaining to products in this catalog are accurate at time of printing. Templates are subject to change without notice.

SHOP DRAWINGS

A nominal charge will be made for drawings of special items.

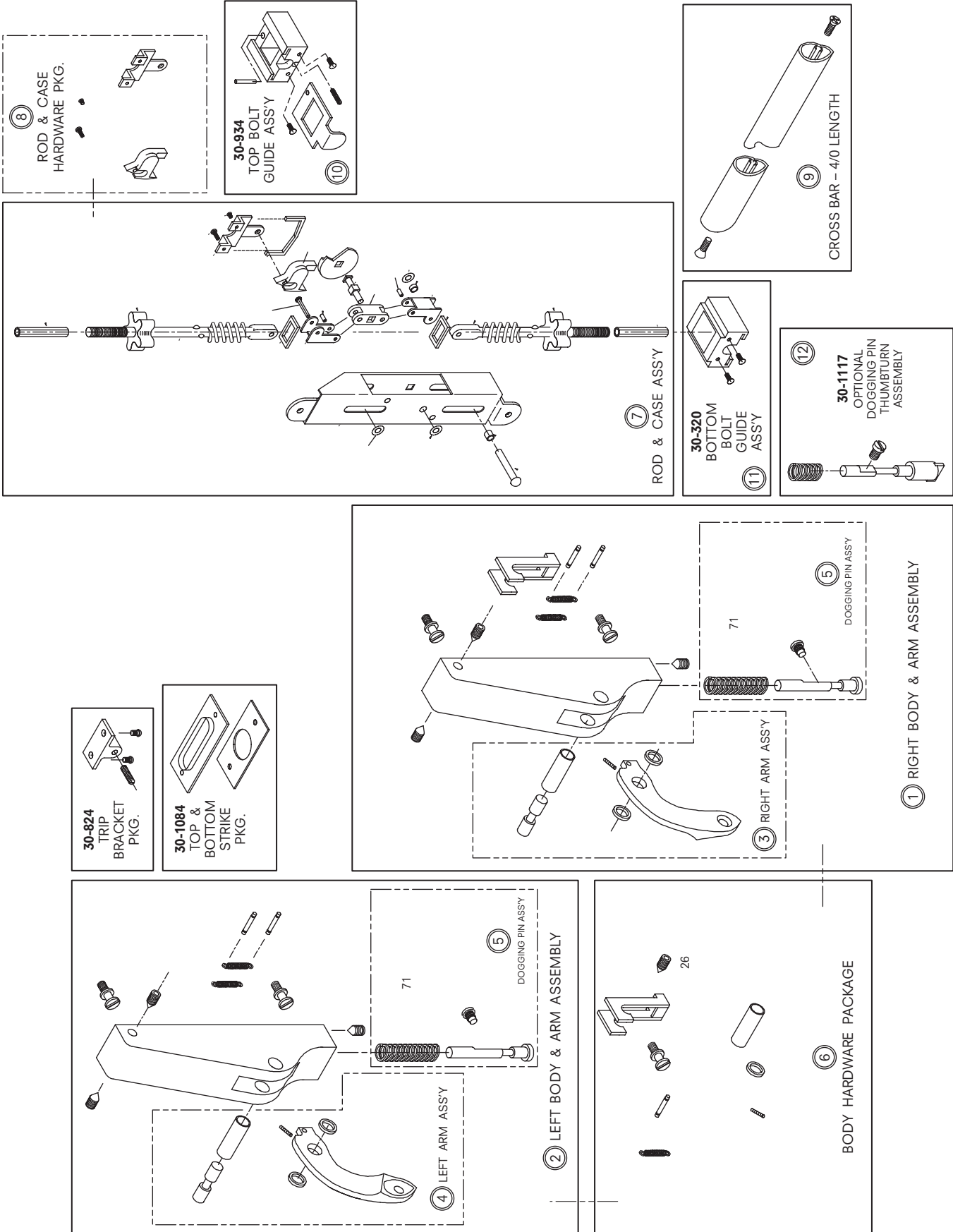


PARTS PRICE LIST

Table of Contents

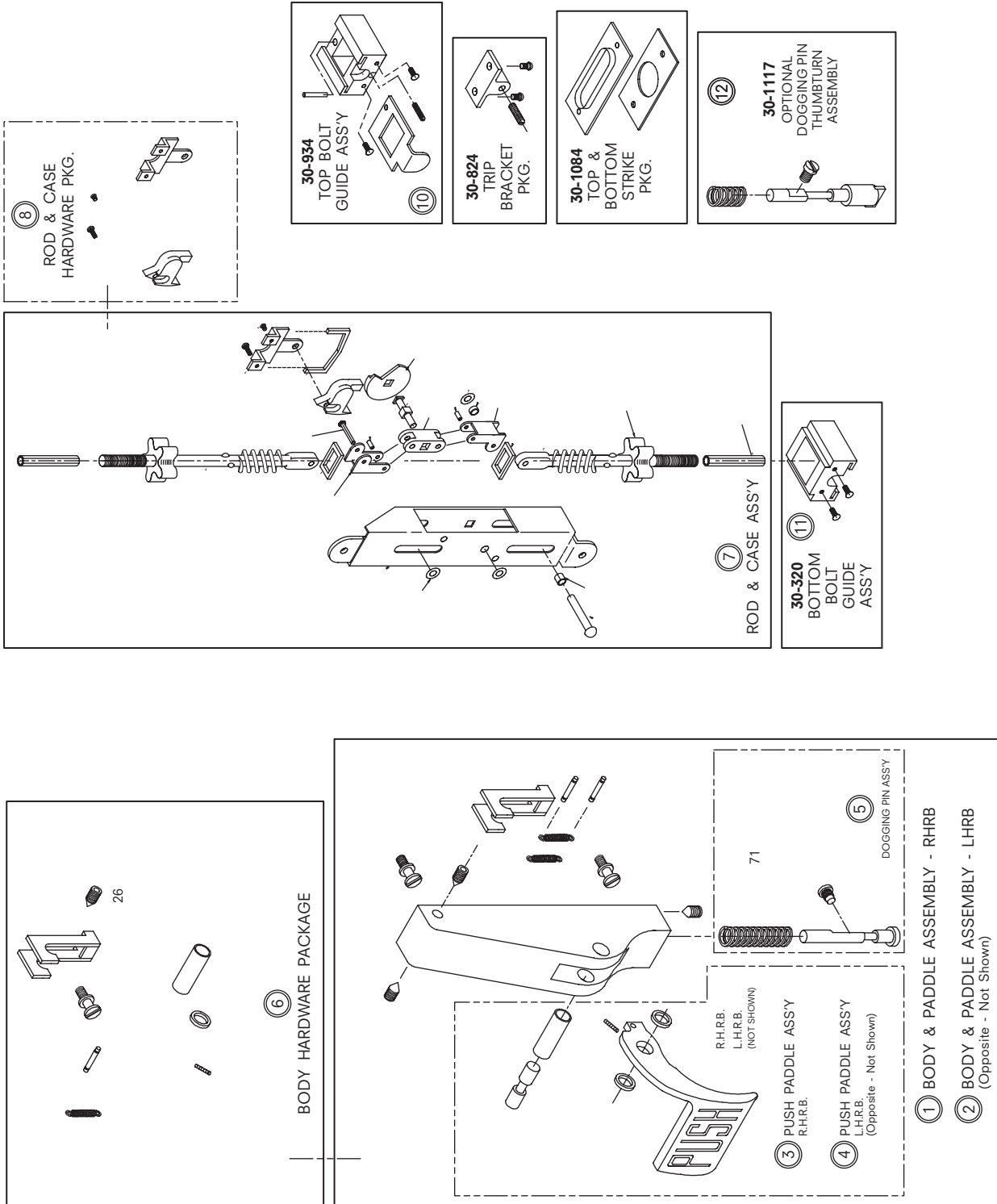
SERIES NO.	DESCRIPTION	PAGE NO.
CLICK ANY ITEM TO GO DIRECTLY TO CORRESPONDING PAGE		
1085	Concealed Vertical Rod Exit Device Exploded View	1
1085	Concealed Vertical Rod Exit Device Prices	2
1085 P	Concealed Vertical Rod Exit Device Exploded View	3
1085 P	Concealed Vertical Rod Exit Device Prices	4
1095	Rim Exit Device Exploded View	5
1095	Rim Exit Device Prices	6
1095 P	Rim Exit Device - Paddle Exploded View	7
1095 P	Rim Exit Device - Paddle Prices	8
1285	Concealed Vertical Rod Exit Device Exploded View	9
1285	Concealed Vertical Rod Exit Device Prices	10
1295	Rim Exit Device Exploded View	11
1295	Rim Exit Device Prices	12
2085	Concealed Vertical Rod Exit Device Exploded View	15
2085	Concealed Vertical Rod Exit Device Prices	16
2086	Concealed Vertical Rod Exit Device Exploded View	19
2086	Concealed Vertical Rod Exit Device Prices	20
2095	Rim Device Exploded View	23
2095	Rim Device Prices	24
3185	Concealed Vertical Rod Exit Device Exploded View	43
3185	Concealed Vertical Rod Exit Device Prices	44
3186	Concealed Vertical Rod Exit Device Exploded View	45
3186	Concealed Vertical Rod Exit Device Prices	46

1085 CONCEALED VERTICAL ROD



ASSEMBLY NO.	PART NO.	DESCRIPTION	FINISH
1	30-982	RIGHT BODY & ARM ASSEMBLY	US28 / 628 DBZ 313 BLK 335
2	30-983	LEFT BODY & ARM ASSEMBLY	US28 / 628 DBZ 313 BLK 335
3	30-1243	RIGHT ARM ASSEMBLY	US28 / 628 DBZ 313 BLK 335
4	30-1242	LEFT ARM ASSEMBLY	US28 / 628 DBZ 313 BLK 335
5	30-1115	DOGGING PIN ASSEMBLY	
6	30-1409	BODY HARDWARE PACKAGE	
7	30-915	ROD & CASE ASSEMBLY - 7/0	
8	30-916/30-865	ROD & CASE HARDWARE PACKAGE/VISTAWALL ROD&CASE	
9	30-733-PKG	CROSSBAR ASSEMBLY - 4/0	US28 / 628 DBZ 313 BLK 335
10	30-934	TOP BOLT GUIDE ASSEMBLY	US28 / 628 DBZ 313 BLK 335
11	30-320	BOTTOM BOLT GUIDE ASSEMBLY	US28 / 628 DBZ 313 BLK 335
12	30-1117	DOGGING PIN ASSEMBLY - Thumbturn	US28 / 628 DBZ 313 BLK 335
	30-763P	TOP or BOTTOM BOLT (59)	
	30-824	TRIP BRACKET PACKAGE	US28 / 628 DBZ 313 BLK 335
	30-1084	STRIKE PACKAGE - Top & Bottom	US28 / 628 DBZ 313 BLK 335

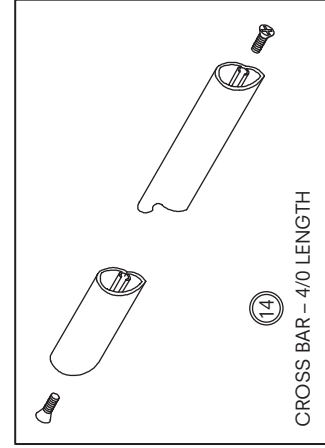
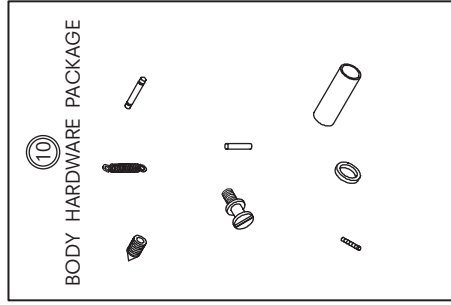
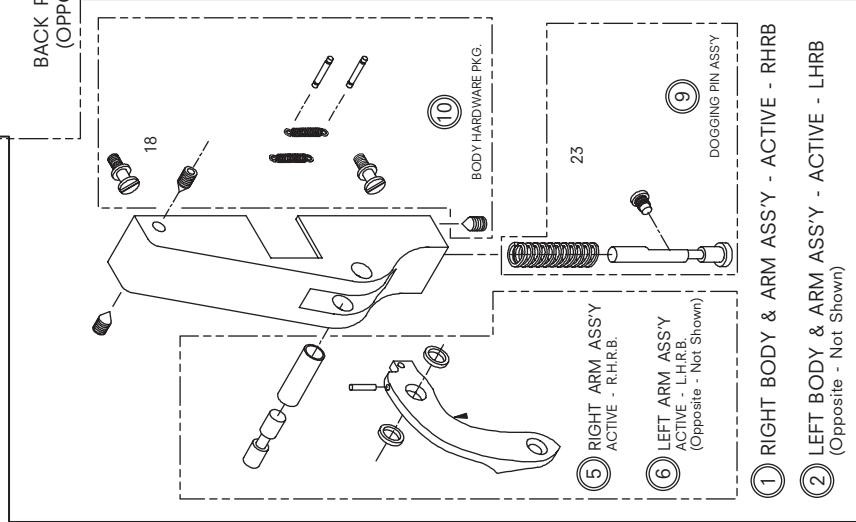
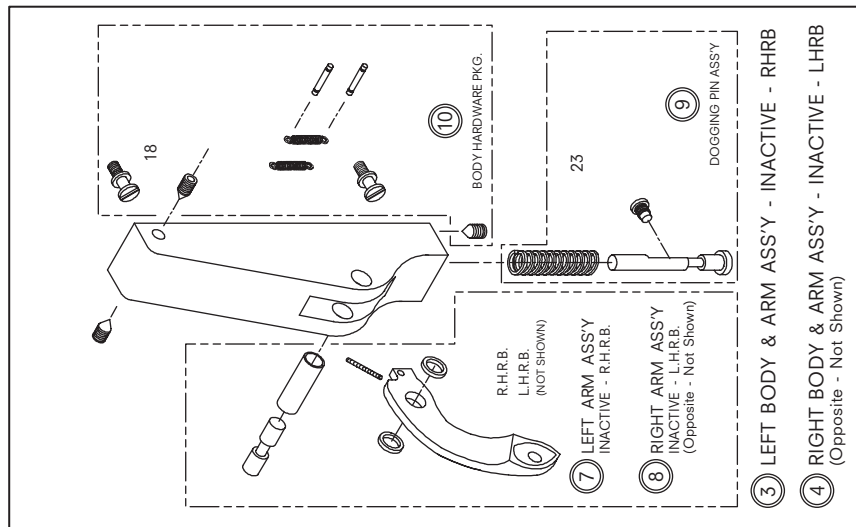
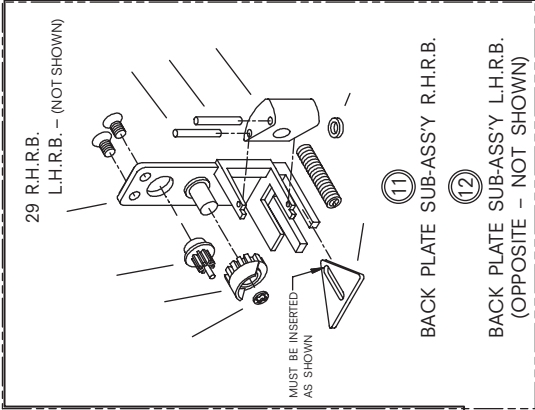
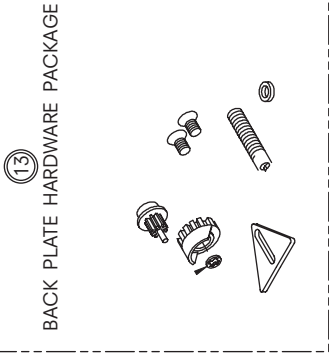
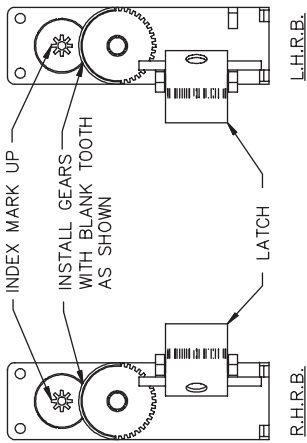
1085P CONCEALED VERTICAL ROD - PADDLE



ASSEMBLY NO.	PART NO.	DESCRIPTION	FINISH
1	30-984	BODY & PADDLE ASSEMBLY - RHRB	US28 / 628 DBZ 313 BLK 335
2	30-985	BODY & PADDLE ASSEMBLY - LHRB	US28 / 628 DBZ 313 BLK 335
3	30-1258	PADDLE ASSEMBLY - RHRB	US28 / 628 DBZ 313 BLK 335
4	30-1259	PADDLE ASSEMBLY - LHRB	US28 / 628 DBZ 313 BLK 335
5	30-1115	DOGGING PIN ASSEMBLY	
6	30-1409	BODY HARDWARE PACKAGE	
7	30-915	ROD & CASE ASSEMBLY - 7/0	
8	30-916	ROD & CASE HARDWARE PACKAGE	
10	30-934	TOP BOLT GUIDE ASSEMBLY	US28 / 628 DBZ 313 BLK 335
11	30-320	BOTTOM BOLT GUIDE ASSEMBLY	US28 / 628 DBZ 313 BLK 335
12	30-1117	DOGGING PIN ASSEMBLY - Thumbturn	US28 / 628 DBZ 313 BLK 335
	30-763P	TOP or BOTTOM BOLT (59)	
	30-824	TRIP BRACKET PACKAGE	US28 / 628 DBZ 313 BLK 335
	30-1084	STRIKE PACKAGE - Top & Bottom	US28 / 628 DBZ 313 BLK 335

1095 RIM EXIT DEVICE

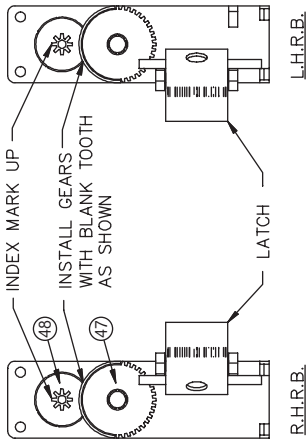
ORIENTATION OF THE BACK PLATE GEAR ASSEMBLY
FOR R.H.R.B. DOORS



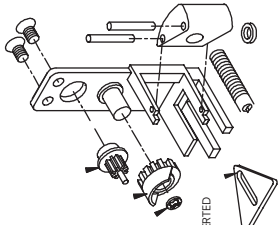
ASSEMBLY NO.	PART NO.	DESCRIPTION	FINISH
1	30-988	RIGHT BODY & ARM ASSEMBLY - ACTIVE - RHRB	US28 / 628 DBZ 313 BLK 335
2	30-989	LEFT BODY & ARM ASSEMBLY - ACTIVE - LHRB	US28 / 628 DBZ 313 BLK 335
3	30-990	LEFT BODY & ARM ASSEMBLY - INACTIVE - RHRB	US28 / 628 DBZ 313 BLK 335
4	30-991	RIGHT BODY & ARM ASSEMBLY - INACTIVE - LHRB	US28 / 628 DBZ 313 BLK 335
5	30-1247	RIGHT ARM ASSEMBLY - ACTIVE - RHRB	US28 / 628 DBZ 313 BLK 335
6	30-1248	LEFT ARM ASSEMBLY - ACTIVE - LHRB	US28 / 628 DBZ 313 BLK 335
7	30-1242	LEFT ARM ASSEMBLY - INACTIVE - RHRB	US28 / 628 DBZ 313 BLK 335
8	30-1243	RIGHT ARM ASSEMBLY - INACTIVE - LHRB	US28 / 628 DBZ 313 BLK 335
9	30-1115	DOGGING PIN ASSEMBLY	
10	30-851	BODY HARDWARE PACKAGE	
11	30-846	BACK PLATE SUB-ASSEMBLY - RHRB	US28 / 628 DBZ 313 BLK 335
12	30-847	BACK PLATE SUB-ASSEMBLY - LHRB	US28 / 628 DBZ 313 BLK 335
13	30-852	BACK PLATE HARDWARE PACKAGE	
14	30-733-PKG	CROSSBAR ASSEMBLY - 4/0	US28 / 628 DBZ 313 BLK 335
15	30-1117	DOGGING PIN ASSEMBLY - THUMBTURN (Optional)	US28 / 628 DBZ 313 BLK 335

1095P RIM EXIT DEVICE - PADDLE

ORIENTATION OF THE BACK PLATE GEAR ASSEMBLY
FOR R.H.R.B. DOORS



40 R.H.R.B.
L.H.R.B. - (NOT SHOWN)



MUST BE INSERTED
AS SHOWN

11

BACK PLATE SUB-ASSY R.H.R.B.

12

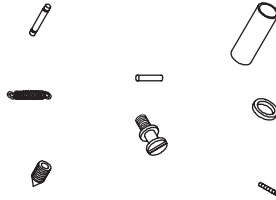
BACK PLATE SUB-ASSY L.H.R.B.
(Opposite - Not Shown)

13
BACK PLATE HARDWARE PACKAGE



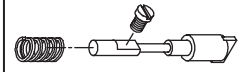
10

BODY HARDWARE PACKAGE



15

30-1117
OPTIONAL
DOGGING PIN
THUMBTURN
ASSEMBLY

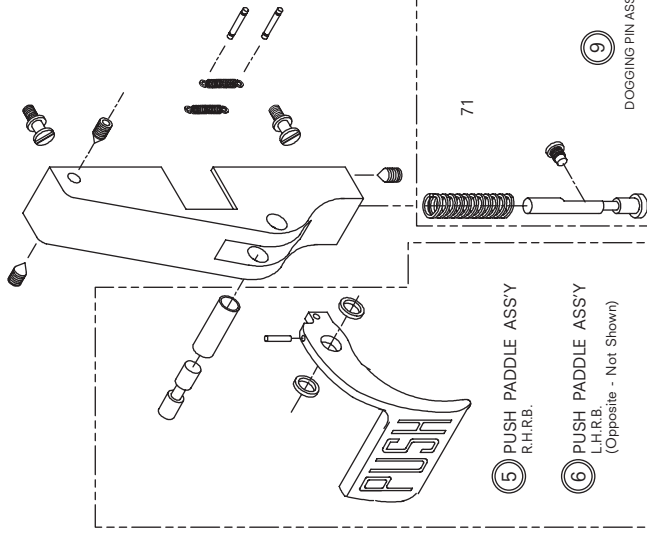


5
PUSH PADDLE ASSY
R.H.R.B.

6
PUSH PADDLE ASSY
L.H.R.B.
(Opposite - Not Shown)

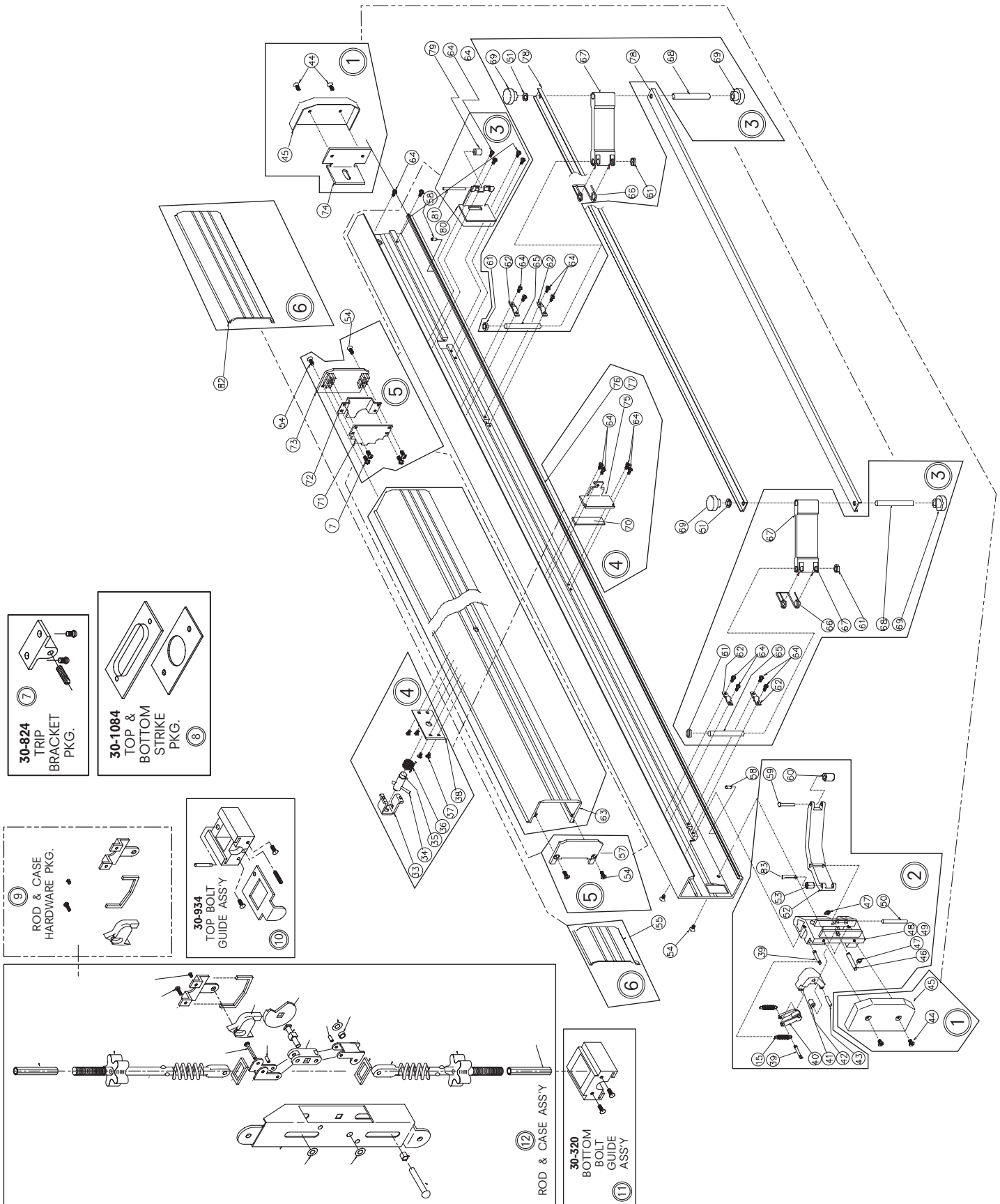
1
BODY & PADDLE ASSEMBLY - RHRB

2
BODY & PADDLE ASSEMBLY - LHRB
(Opposite - Not Shown)



ASSEMBLY NO.	PART NO.	DESCRIPTION	FINISH
1	30-998	BODY & PADDLE ASSEMBLY - RHRB	US28 / 628 DBZ 313 BLK 335
3	30-999	BODY & PADDLE ASSEMBLY - LHRB	US28 / 628 DBZ 313 BLK 335
5	30-1245	PUSH PADDLE ASSEMBLY - RHRB	US28 / 628 DBZ 313 BLK 335
6	30-1246	PUSH PADDLE ASSEMBLY - LHRB	US28 / 628 DBZ 313 BLK 335
9	30-1115	DOGGING PIN ASSEMBLY	
10	30-851	BODY HARDWARE PACKAGE	
11	30-846	BACK PLATE GEAR ASSEMBLY - RHRB	US28 / 628 DBZ 313 BLK 335
12	30-847	BACK PLATE GEAR ASSEMBLY - LHRB	US28 / 628 DBZ 313 BLK 335
13	30-852	BACK PLATE HARDWARE PACKAGE	
15	30-1117	DOGGING PIN ASSEMBLY - THUMBTURN (Optional)	US28 / 628 DBZ 313 BLK 335

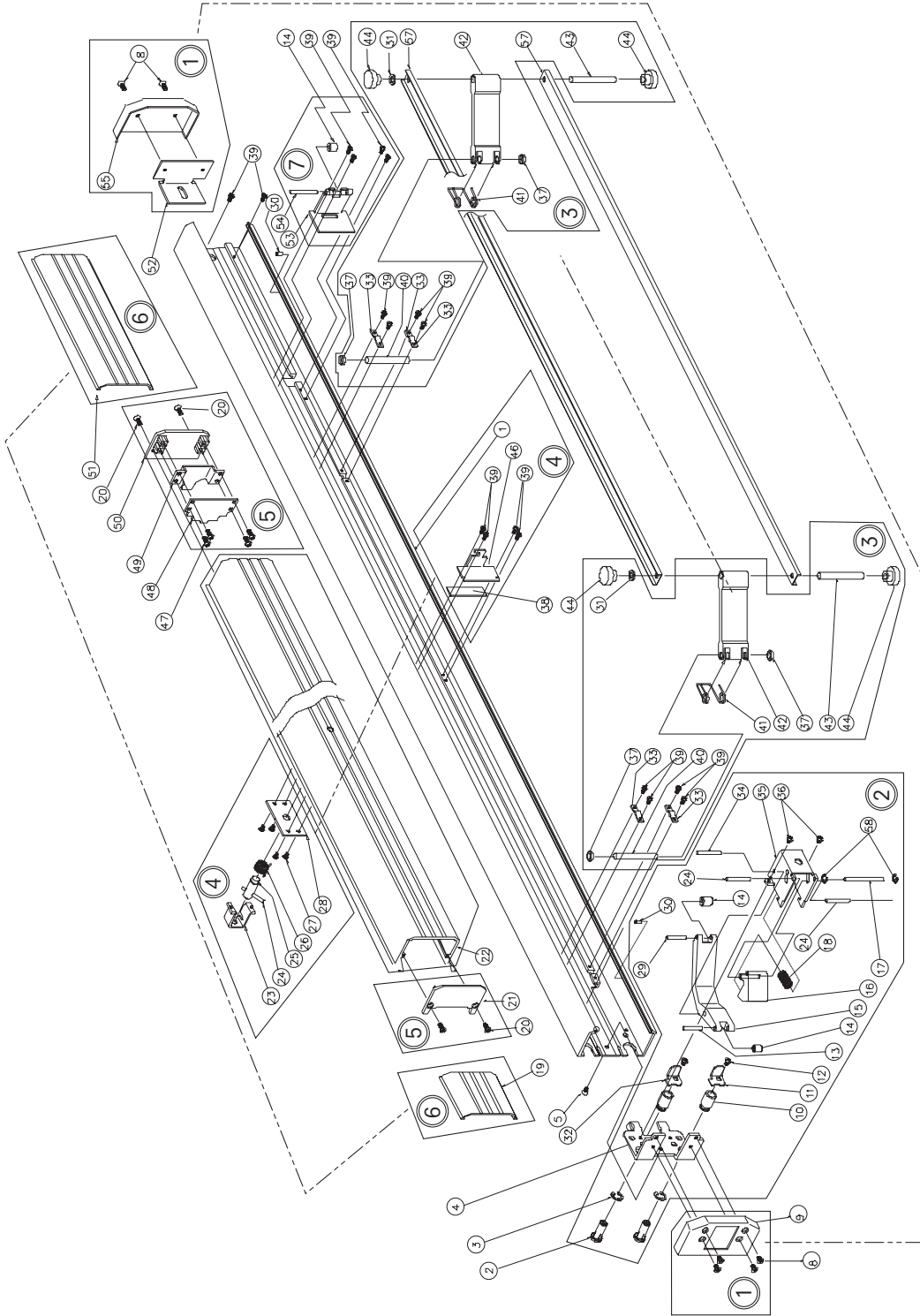
1285 CONCEALED VERTICAL ROD



ASSEMBLY NO.	PART NO.	DESCRIPTION	SIZE	FINISH
1	30-2661	BASE END CAP PACKAGE		
2	30-2669	ACTUATING LIFT ASSEMBLY (LHRB)		
2	30-2675	ACTUATING LIFT ASSEMBLY (RHRB)		
3	30-2664	CONTROL ARM HARDWARE PACKAGE		
4	30-2670	DOGGING ASSEMBLY		
5	30-2697	END CAP PACKAGE		
6	30-2674	COVER PLATE PACKAGE		US28 / 628 313
7	30-824	TRIP PACKAGE		US28 / 628 DBZ / 313 BLK 335
8	30-1084	STRIKE PACKAGE - TOP & BOTTOM		US28 / 628 DBZ / 313 BLK 335
9	30-916	ROD & CASE HARDWARE PACKAGE		
10	30-934	TOP BOLT GUIDE ASSEMBLY		
11	30-320	BOTTOM BOLT GUIDE ASSEMBLY		
12	30-2452	ROD & CASE ASSEMBLY - 7/0		



1295 RIM EXIT DEVICE

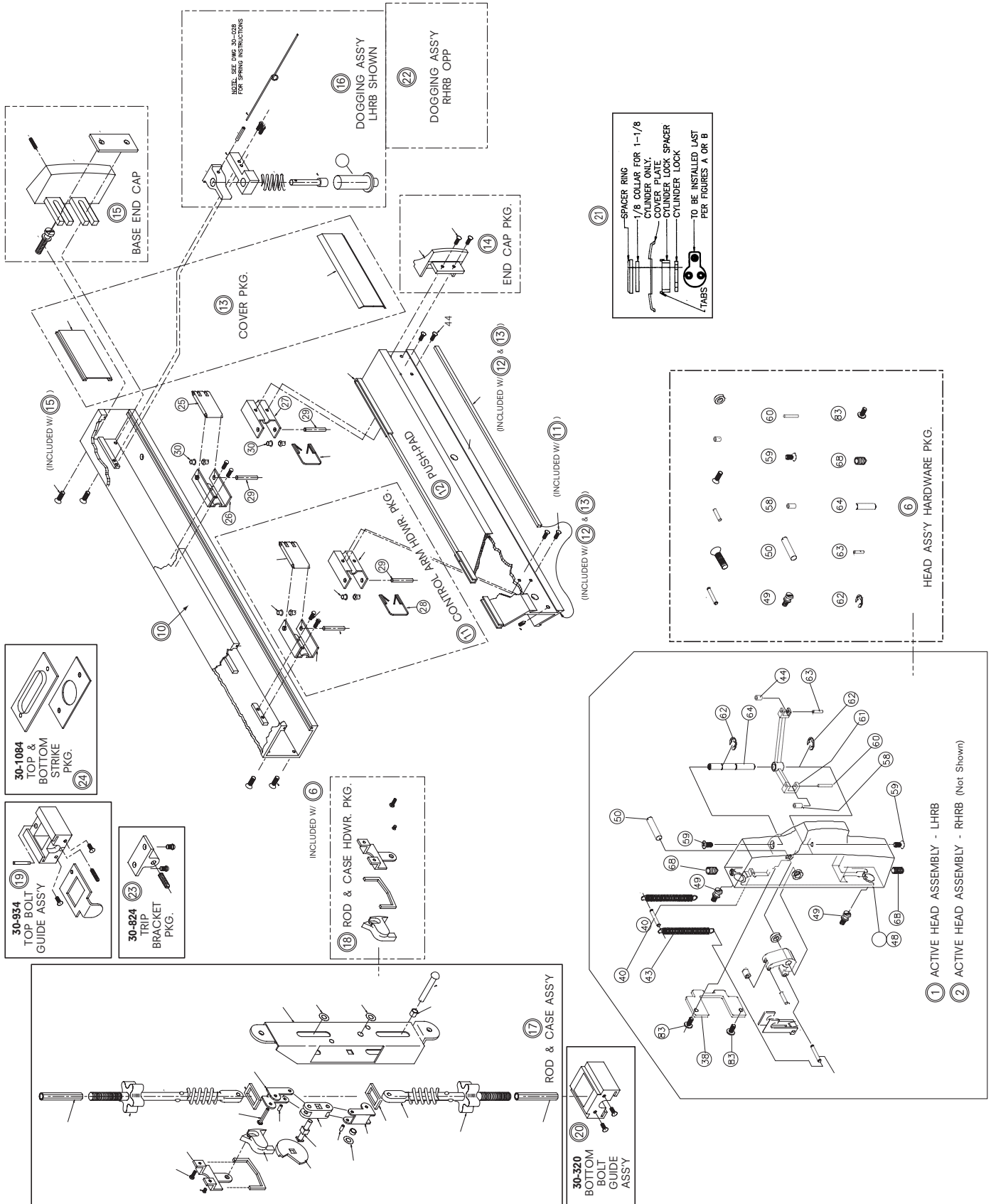


ASSEMBLY NO.	PART NO.	DESCRIPTION	SIZE	FINISH
1	30-2677	BASECOVER PLATE PACKAGE		
2	30-2679	LATCH ASSEMBLY PACKAGE		
3	30-2664	CONTROL ARM HARDWARE PACKAGE		
4	30-2670	DOGGING ASSEMBLY		
5	30-2697	PUSH PAD END CAP PACKAGE		
6	30-2674	COVER PLATE PACKAGE		US28/628 DBZ 313
7	30-2697	CONTROL BRACKET PACKAGE		

ASSEMBLY NO.	PART NO.	DESCRIPTION	FINISH
1	30-2617	COMPLETE ACTIVE HEAD ASSEMBLY - LHRB	US28 / 628 DBZ 313
2	30-2619	COMPLETE ACTIVE HEAD ASSEMBLY - RHRB	US28 / 628 DBZ 313
6	30-2607	HEAD ASSEMBLY HARDWARE PACKAGE	
11	30-1064	CONTROL ARM HARDWARE PACKAGE	
12	30-1048-PKG	PUSH-PAD PACKAGE	US28 / 628 DBZ 313
13	30-1063	COVER PLATE PACKAGE	US28 / 628 DBZ 313
14	30-1265	PUSH-PAD END CAP PACKAGE	US28 / 628 DBZ 313
15	30-1266	BASE END CAP PACKAGE	US28 / 628 DBZ 313
16	30-2467	DOGGING ASSEMBLY (LHRB) SHOWN	
17	30-1287	ROD & CASE ASSEMBLY - 7/0	
18	30-916	ROD & CASE HARDWARE PACKAGE	
19	30-1311	TOP LATCH ASSEMBLY	
20	30-320	BOTTOM BOLT GUIDE ASSEMBLY	US28 / 628 DBZ 313
21	30-2671	CYLINDER DOGGING KIT PKG.	US28 / 628 DBZ 313
	30-763P	BOTTOM BOLT (62)	
22	30-1345	STRIKE PACKAGE Top & Bottom	US28 / 628 DBZ 313
23	30-2462	DOGGING ASSEMBLY (RHRB) OPP	

2086 CONCEALED VERTICAL ROD - Top Bolt

(Manufactured AFTER October 1, 1999)

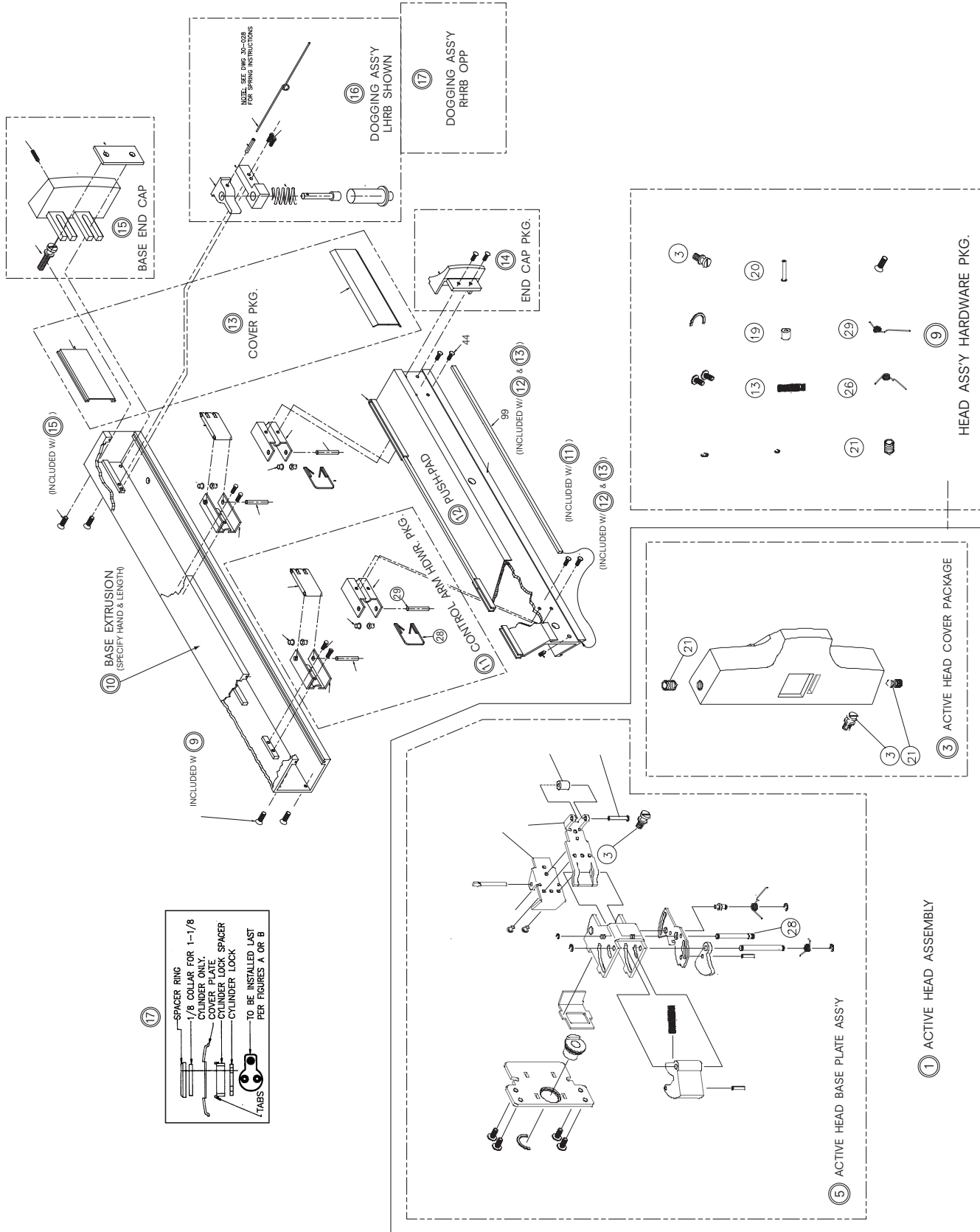


ASSEMBLY NO.	PART NO.	DESCRIPTION	FINISH
1	30-2617	COMPLETE ACTIVE HEAD ASSEMBLY - LHRB	US28 / 628 DBZ 313
2	30-2619	COMPLETE ACTIVE HEAD ASSEMBLY - RHRB	US28 / 628 DBZ 313
6	30-2607	HEAD ASSEMBLY HARDWARE PACKAGE	
11	30-1064	CONTROL ARM HARDWARE PACKAGE	
12	30-1048-PKG	PUSH-PAD PACKAGE	US28 / 628 DBZ 313
13	30-1063	COVER PLATE PACKAGE	US28 / 628 DBZ 313
14	30-1265	PUSH-PAD END CAP PACKAGE	US28 / 628 DBZ 313
15	30-1266	BASE END CAP PACKAGE	US28 / 628 DBZ 313
16	30-2467	DOGGING ASSEMBLY (LHRB) SHOWN	
17	30-915	ROD & CASE ASSEMBLY - 7/0	
18	30-916	ROD & CASE HARDWARE PACKAGE	
19	30-934	TOP BOLT GUIDE ASSEMBLY	
20	30-320	BOTTOM BOLT GUIDE ASSEMBLY	US28 / 628 DBZ 313
23	30-824	TRIP BRACKET PACKAGE	US28 / 628 DBZ 313 BLK 335
24	30-1084	STRIKE PACKAGE - Top & Bottom	US28 / 628 DBZ 313 BLK 335
21	30-2671	CYLINDER DOGGING KIT PKG.	US28 / 628 DBZ 313
22	30-2462	DOGGING ASSEMBLY (RHRB) OPP.	
62	30-763P	TOP OR BOTTOM BOLT (62)	



2095 RIM DEVICE

(Manufactured AFTER October 1, 1999)

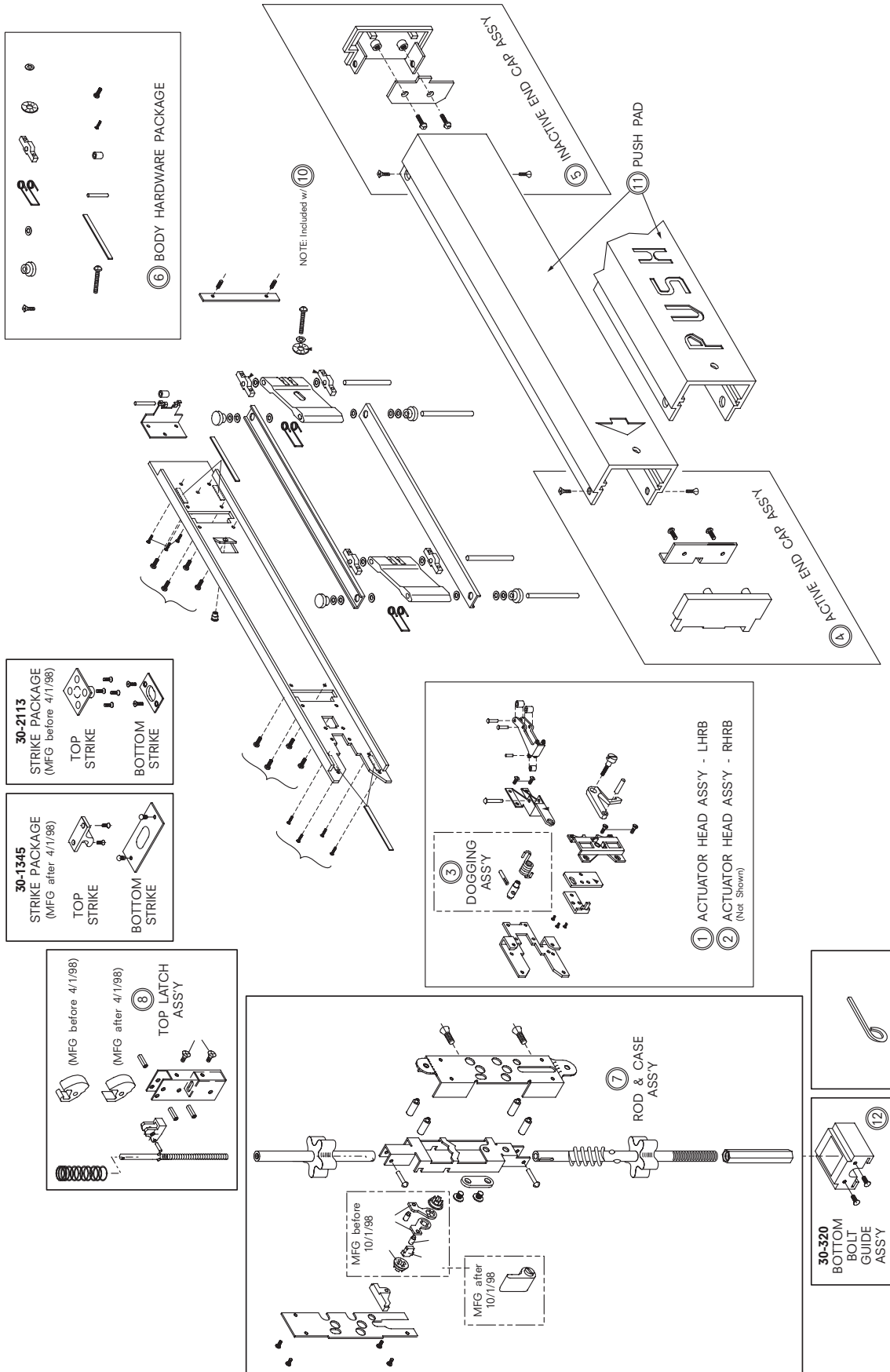


ASSEMBLY NO.	PART NO.	DESCRIPTION	FINISH
1	30-2622	COMPLETE ACTIVE HEAD ASSEMBLY	US28 / 628 DBZ 313
3	30-2627	ACTIVE HEAD COVER PACKAGE	US28 / 628 DBZ 313
5	30-2635	ACTIVE HEAD BASE PLATE ASSEMBLY	
9	30-2610	HEAD ASSEMBLY HARDWARE PACKAGE	
11	30-1064	CONTROL ARM HARDWARE PACKAGE	
12	30-1048-PKG	PUSH-PAD PACKAGE	US28 / 628 DBZ 313
13	30-1063	COVER PLATE PACKAGE	US28 / 628 DBZ 313
14	30-1265	PUSH-PAD END CAP PACKAGE	US28 / 628 DBZ 313
15	30-1266	BASE END CAP PACKAGE	US28 / 628 DBZ 313
16	30-2467	DOGGING ASSEMBLY (LHRB) SHOWN	
17	30-2462	DOGGING ASSEMBLY (RHRB) OPP.	



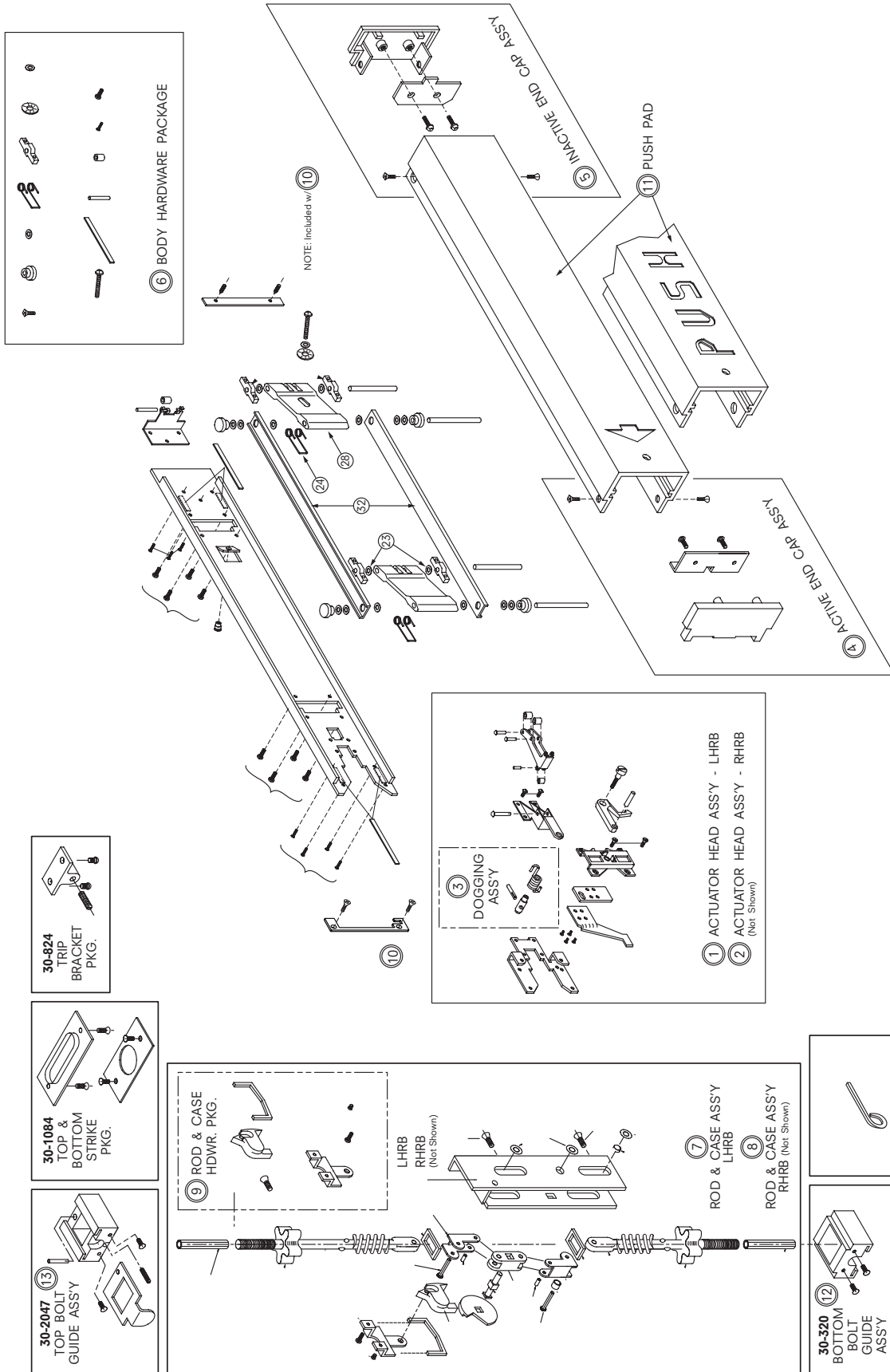
3185 Concealed Vertical Rod with Top latch - Mid Panel Device

(Manufactured AFTER December 1992)



ASSEMBLY NO.	PART NO.	DESCRIPTION	FINISH
1	30-093	ACTUATOR HEAD ASSEMBLY - LHRB	
2	30-094	ACTUATOR HEAD ASSEMBLY - RHRB	
3	30-092	DOGGING ASSEMBLY	
4	30-088	ACTIVE END CAP ASSEMBLY	DBZ / 313 US28 / 628
5	30-086	INACTIVE END CAP ASSEMBLY	DBZ / 313 US28 / 628
6	30-084	BODY HARDWARE PACKAGE	
7	30-2831(L)/30-2827(R)	ROD & CASE ASSEMBLY - Less Top Latch	
8	30-2775	TOP LATCH ASSEMBLY	US28/628-DBZ/313
10	30-095	MOUNTING BRACKET SET	
11	30-023	PUSH PAD - PLAIN - (Non-Handed)	DBZ / 313 US28 / 628
	30-004-1	PUSH PAD - with Arrow - (Non Handed)	DBZ / 313 US28 / 628
	30-004-1L	PUSH PAD - with PUSH - LHRB	DBZ / 313 US28 / 628
	30-004-1R	PUSH PAD - with PUSH - RHRB	DBZ / 313 US28 / 628
12	30-320	BOLT GUIDE ASSEMBLY - Bottom (Adj.)	
	30-2796	DOGGING KEY - 1/8" Hex	(PKG of 2)
	30-2113	Top & Bottom Strike Package (Standard After 4/1/98)	DBZ / 313 US28 / 628
	30-1345	Top & Bottom Strike Package (Standard Before 4/1/98)	DBZ / 313 US28 / 628

3186 Concealed Vertical Rod with Top Bolt - Mid Panel Device



ASSEMBLY			
NO.	PART NO.	DESCRIPTION	FINISH
1	30-093	ACTUATOR HEAD ASSEMBLY - LHRB	
2	30-094	ACTUATOR HEAD ASSEMBLY - RHRB	
3	30-092	DOGGING ASSEMBLY	
4	30-089	ACTIVE END CAP ASSEMBLY	DBZ / 313 US28 / 628
5	30-086	INACTIVE END CAP ASSEMBLY	DBZ / 313 US28 / 628
6	30-085	BODY HARDWARE PACKAGE	
7	30-077	ROD & CASE ASSEMBLY - LHRB - 7/0	
8	30-080	ROD & CASE ASSEMBLY - RHRB - 7/0	
9	30-090	ROD & CASE HARDWARE PACKAGE	
10	30-095	MOUNTING BRACKET SET - LHRB	
	30-096	MOUNTING BRACKET SET - RHRB	
11	30-023	PUSH PAD - PLAIN - (Non-Handed)	DBZ / 313 US28 / 628
	30-004-1	PUSH PAD - with Arrow - (Non Handed)	DBZ / 313 US28 / 628
	30-004-1L	PUSH PAD - with PUSH - LHRB	DBZ / 313 US28 / 628
	30-004-1R	PUSH PAD - with PUSH - RHRB	DBZ / 313 US28 / 628
12	30-320	BOTTOM BOLT GUIDE ASSEMBLY	
13	30-2047	TOP BOLT GUIDE ASSEMBLY (Adj.)	
	30-2796	DOGGING KEY - 1/8" Hex	(PKG of 2)
	30-763P	TOP or BOTTOM BOLT (77)	
	30-842	TRIP BRACKET PACKAGE	US28 / 628 DBZ / 313 BLK 335
	30-1084	STRIKE PACKAGE - Top & Bottom	US28 / 628 DBZ / 313 BLK 335

